

## FDMR 60

### Fire damper

Technical Documentation

Installation, Commissioning, Operation, Maintenance and Service Manual



These technical specifications state a row of manufactured sizes and models of fire dampers FDMR 60  
It is valid for production, designing, ordering, delivery, maintenance and operation.

# CONTENT

I. GENERAL.....	3
Description.....	3
II. DESIGN.....	4
Design with manual control.....	4
Design with spring return actuator.....	6
III. DIMENSIONS.....	9
Technical parameters.....	11
IV. INSTALLATION.....	12
Placement and installation.....	12
Statement of installations.....	14
Installation in solid wall construction.....	15
Installation outside solid wall construction.....	19
Installation in gypsum wall construction.....	20
Installation outside gypsum wall construction.....	24
Installation in sandwich wall construction.....	25
Installation outside sandwich wall construction.....	26
Installation in shaft wall construction.....	27
Installation in solid ceiling construction.....	28
Installation outside solid ceiling construction.....	30
V. SUSPENSION SYSTEMS.....	32
Example of duct connection.....	35
VI. TECHNICAL DATA.....	36
Pressure loss.....	36
Noise data.....	37
VII. MATERIAL, FINISHING.....	38
VIII. TRANSPORTATION, STORAGE AND WARRANTY.....	39
Logistic terms.....	39
Warranty.....	39
IX. ASSEMBLY, ATTENDANCE AND MAINTENANCE.....	40
Commissioning and revisions.....	41
X. ORDERING INFORMATIONS.....	43
Ordering key.....	43
Data label.....	43

# I. GENERAL

## Description

Fire dampers are shutters in ducts of air-conditioning devices that prevent the spread of fire and combustion products from one fire segment to the other one by means of closing the duct in the points of fire separating constructions.

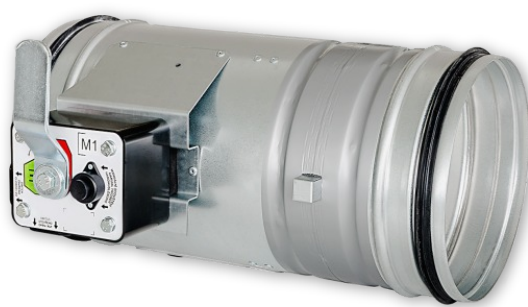
Damper blade automatically closes air duct using a closing spring or a spring return actuator. The closing spring is actuated by pressing a button on the manual control or by melting a thermal fuse.

The return spring of the actuator is actuated when a thermoelectric activation device BAT is activated, when a test button on BAT is pressed or when power supply of the actuator is interrupted.

After closing the blade, the damper is sealed with silicon against smoke penetration. On request by customer, the damper can be supplied silicon-free. In the closed position, the damper is also sealed with material which increases its volume due to increasing temperature and air proofs the air duct.



*FDMR 60 with spring return actuator*



*FDMR 60 with manual control*

### Damper characteristics

- CE certified acc. to EN 15650
- Tested in accordance with EN 1366-2
- Classified acc. to EN 13501-3+A1
- External Casing leakage class ATC 3 (old marking "C") acc. to EN 1751
- Internal leakage min. class 3 acc. to EN 1751
- Cycling test in class C<sub>10000</sub> acc. to EN 15650
- Corrosion resistant acc. to EN 15650
- Certificate of constancy of performance No. 1391-CPR-XXXX/XXXX
- Declaration of Performance No. PM/FDMR 60/01/XX/X
- Hygienic assessment of fire dampers - Report No. 1.6/pos/19/19b

### Working conditions

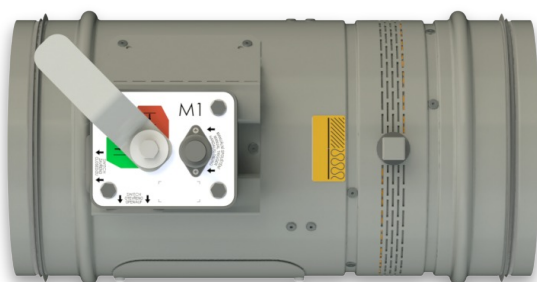
- Exact damper function is provided under the following conditions:
  - maximum air velocity 12 m/s
  - maximum pressure difference 1200 Pa
  - the air circulation in the whole damper section must be secured steady over the entire surface.
- Dampers can be installed in arbitrary position
- Dampers are suitable for systems without abrasive, chemical and adhesive particles.
- Dampers are designed for macroclimatic areas with mild climate according to EN IEC 60 721-3-3 ed.2., class 3K22. (Environment 3K22 is typically protected place with regulated temperature)
- Temperature in the place of installation is permitted to range from -30°C to +50°C.

## II. DESIGN

### Design with manual control

#### Design .01

- Design with manual control with a thermal fuse which actuates the shutting device, after the nominal activation temperature 72°C has been reached.
- Automatic initiation of the manual control is not activated if the temperature does not exceed 70°C.
- In case that other activation temperatures are required, thermal fuses with nominal activation temperature +104°C or +147°C can be supplied (this requirement must be specified in the order).



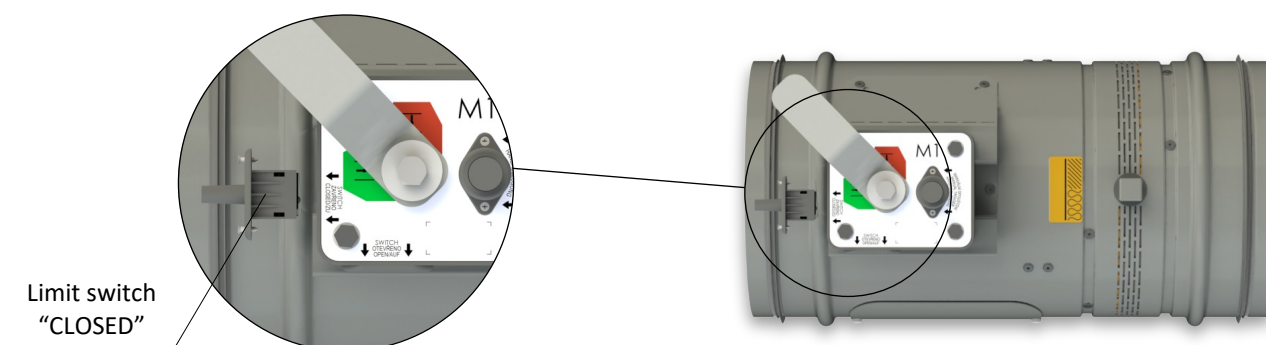
Design .01

#### ATTENTION:

- Manual controls are produced in sizes M1 and M2, difference is only in size of a closing spring, which closes the fire damper.
- For the size of fire dampers is always assigned the size of the manual control → see page 11
- It is not recommended to use different size of the manual control than given by the manufacturer, otherwise there is a risk of damaging the fire damper.

#### Design .11

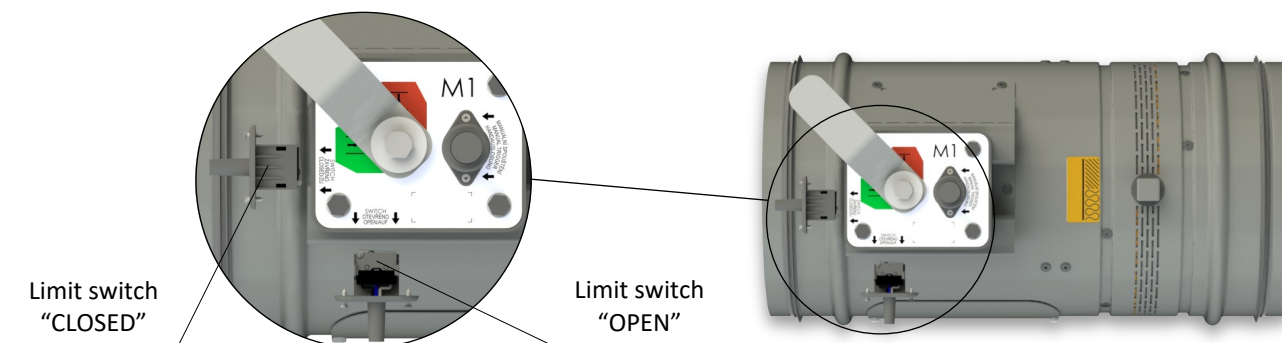
- Design .01 with manual control can be complemented with a limit switch signaling of the damper blade position "CLOSED".
- Cable is connected directly to limit switch.
- Limit switch detail → see page 5



Design .11

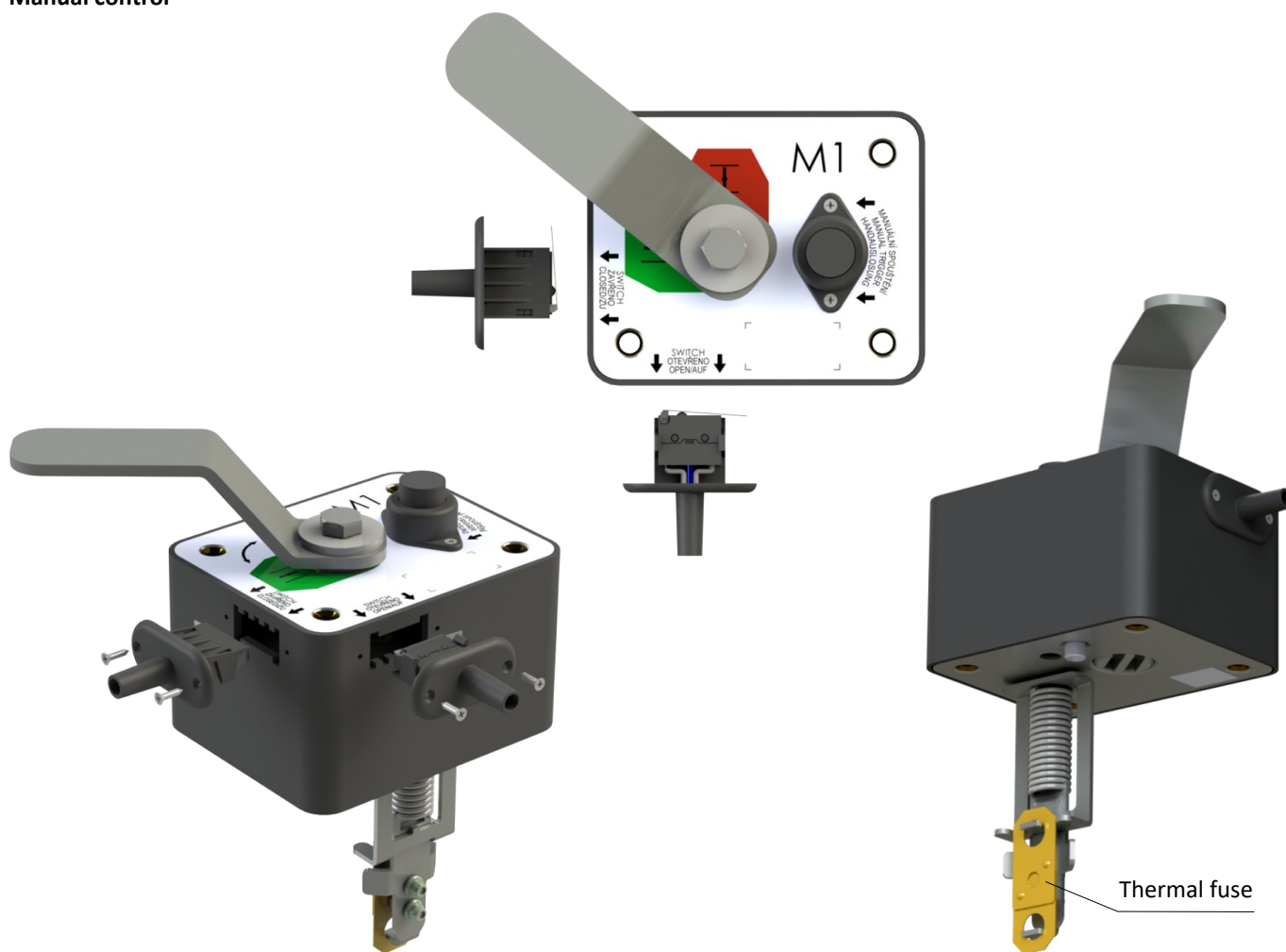
#### Design .80

- Design .01 with manual control can be complemented with two limit switches signaling of the damper blade position "CLOSED" and "OPEN".
- Cables are connected directly to limit switches.
- Limit switch detail → see page 5

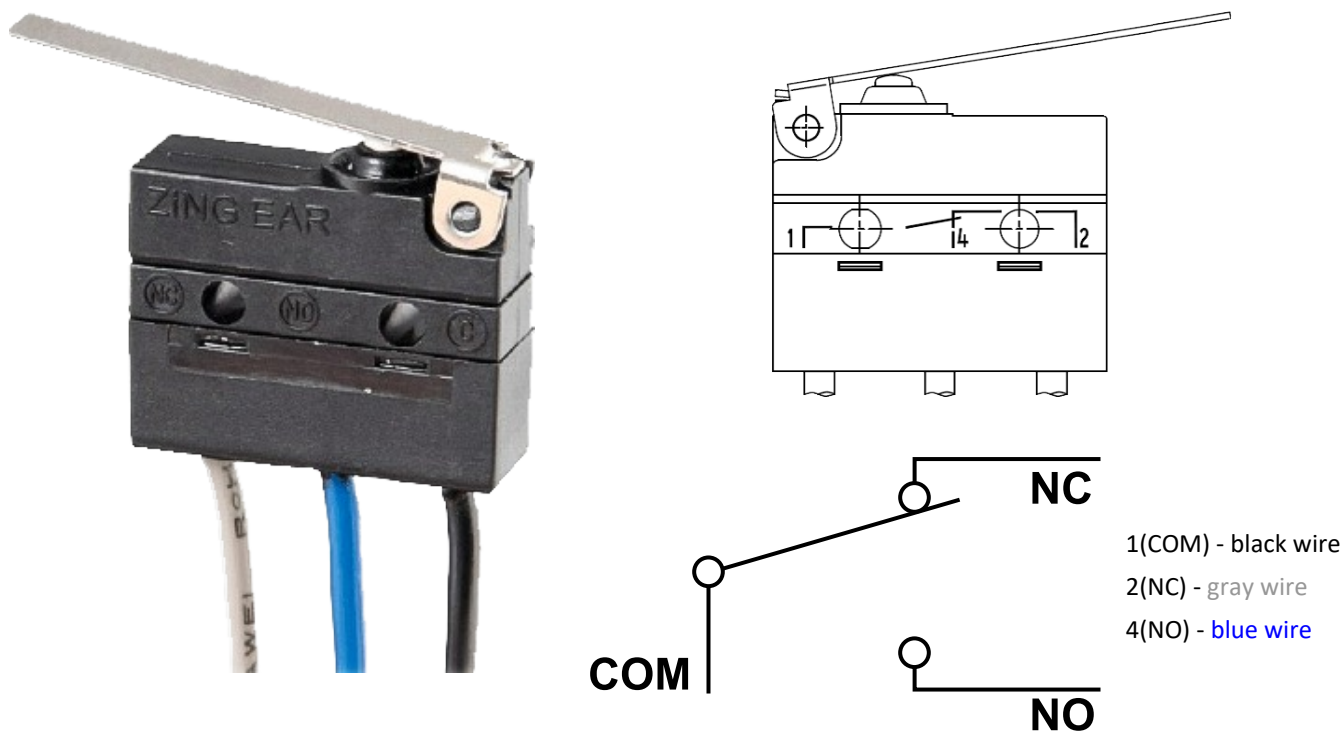


Design .80

Manual control



Limit switch G905-300E03W1



Nominal voltage and maximal current	AC 230V / 5A
Class of protection	IP 67
Working temperature	-25°C ... +120°C

This limit switch is possible to connect in two following ways

- CUT-OFF if the arm is moving ... connect wire 1+2
- SWITCH-ON if the arm is moving ... connect wire 1+4

## Design with spring return actuator

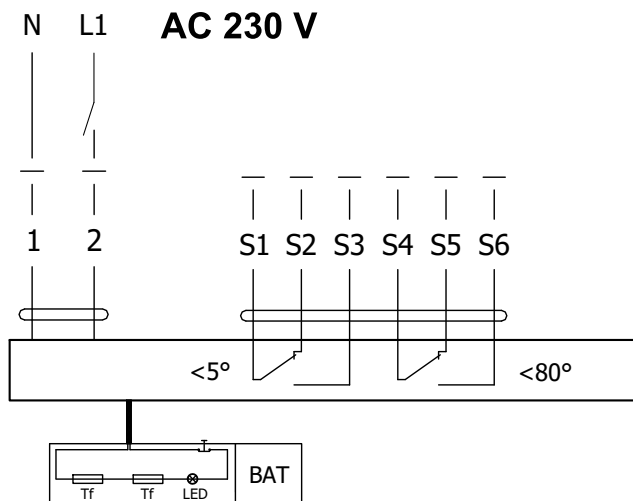
### Design .40 and .50

- The fire dampers are equipped with Belimo spring return actuators with thermoelectric activation device BAT. The spring return actuator types are BFL. (Further mentioned as „actuator“).
- After being connected to power supply 230V or AC/DC 24V, the actuator rotates the damper blade to the operating position "OPEN" and at the same time pre-stretches its return spring.
- When the actuator is power supplied, the damper blade is in the position "OPEN" and the return spring is pre-stretched.
- Time needed for full opening of the damper blade from the position "CLOSED" to the position "OPEN" is maximum 120 sec. If the actuator power supply is interrupted (due to loss of supply voltage, or pressing a test button on the thermoelectric activation device BAT), the actuator rotates the damper blade to the breakdown position "CLOSED".
- The time of closing the damper blade from the position "OPEN" to the position "CLOSED" takes maximum 20 sec.
- In case that the power supply is restored again (the blade can be in any position), the actuator starts to rotate the damper blade back to the position "OPEN".
- A thermoelectric activation device BAT, which contains two thermal fuses Tf1 and Tf2, is an integral part of the actuator.
- These fuses are activated when temperature +72°C has been reached (the fuse Tf1 due to temperature outside the duct and the fuse Tf2 due to temperature inside the duct). The thermoelectric activation device can also be equipped with a Tf2 thermal fuse type ZBAT 95/120/140 (must be specified in the order). In this case, the activation temperature inside the duct is +95°C, +120°C or +140°C (depending on the type).
- After the thermal fuse Tf1 or Tf2 has been activated, the power supply is permanently and irreversibly interrupted and the actuator, by means of the pre-stretched spring, rotates the damper blade into the breakdown position "CLOSED".
- Signalisation of damper blade position "OPEN" and "CLOSE" is provided by two microswitches.

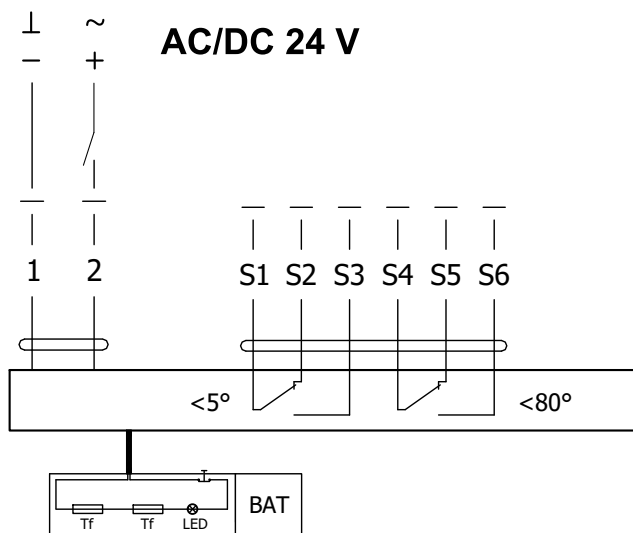


*Design .40 and .50*

**Actuator BELIMO BFL 230-T**



**Actuator BELIMO BFL 24-T(-ST)**



**Actuator BELIMO BFL 230-T(-ST), BFL 24-T(-ST)**

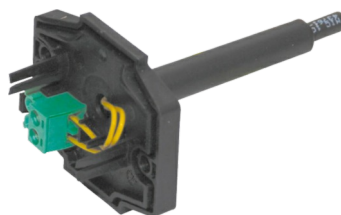
Actuator BELIMO - 4 Nm/ 3 Nm Spring	BFL 230-T(-ST)	BFL 24-T(-ST)
Power voltage	AC 230 V 50/60Hz	AC/DC 24 V 50/60Hz
Power consumption - in operation - in rest position	3,5 W 1,1 W	2,5 W 0,8 W
Dimensioning	6,5 VA (I <sub>max</sub> 4 A @ 5 ms)	4 VA (I <sub>max</sub> 8,3 A @ 5 ms)
Protection class	II	III
Degree of protection	IP 54	
Running time - motor - spring return	< 60 s ~ 20 s	
Ambient temperature - normal duty - safety duty - non-operating temperature	-30°C ... +55°C The safe position will be attained up to max. +75°C -40°C ... +55°C	
Connection - supply/control - auxiliary switch	cable 1 m, 2 x 0,75 mm <sup>2</sup> (BFL 2xx-T-ST) with 3-pin plug-in connectors cable 1 m, 6 x 0,75 mm <sup>2</sup> (BFL 2xx-T-ST) with 6-pin plug-in connectors	
Response temperature thermal fuse	duct outside temperature +72°C duct inside temperature +72°C	

**Thermoelectric activation device BAT**

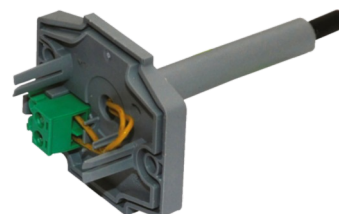
- If the thermal fuse Tf1 is interrupted (due to temperature outside the duct), it is necessary to replace the spring return actuator. Thermoelectric activation device BAT is integral part of the actuator.
- If the thermal fuse Tf2 is interrupted (due to temperature inside the duct) , only the spare part ZBAT 72 (95/120/140) needs to be replaced (acc.to the activation temperature).
- When one of the thermal fuses responds, the supply voltage is interrupted permanently and irreversibly.
- The function (interruption of the supply voltage) can be checked by pressing the test button.
- Installation is carried out with the pre-assembled, self-tapping screws.



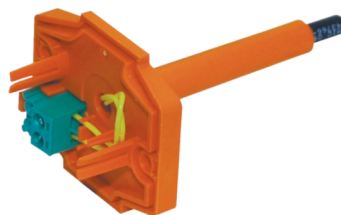
**BELIMO ZBAT 72**  
Black (BK) = 72°C (standard)



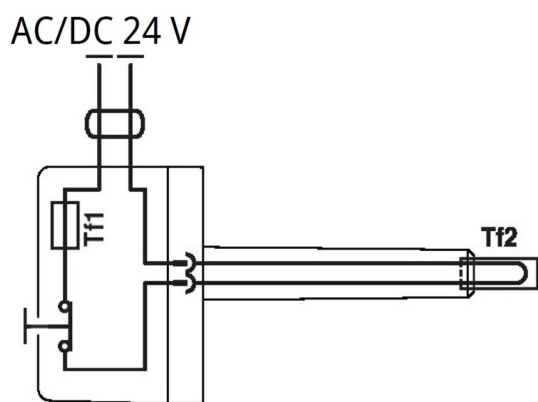
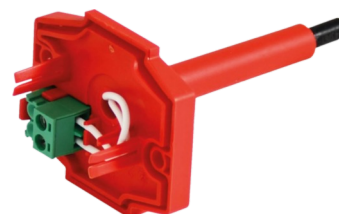
**BELIMO ZBAT 95**  
Grey (GY) = 95°C



**BELIMO ZBAT 120**  
Orange (OG) = 120°C



**BELIMO ZBAT 140**  
Red (RD) = 140°C



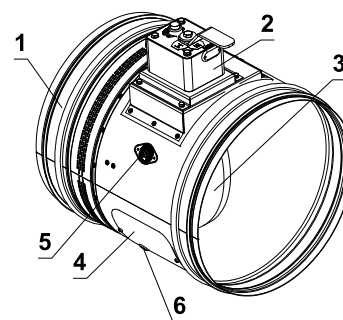
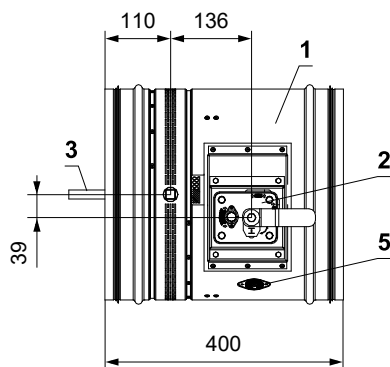
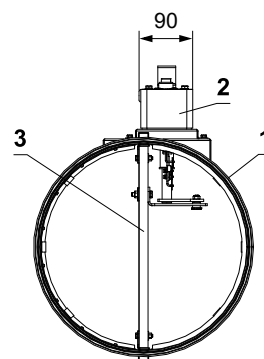
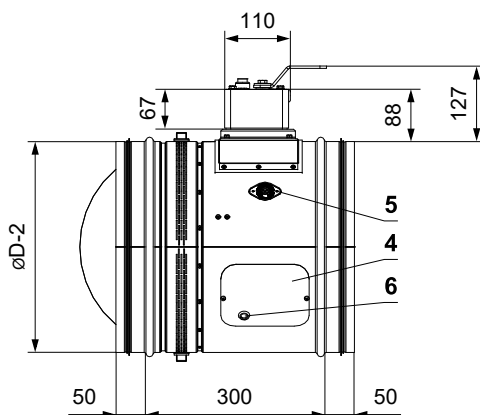
**Thermoelectric activation device BAT 72 (95/120/140)**

Power voltage	AC/DC 24 V 50/60Hz
Rated current	1 A
AC/DC throughput resistance	<1 Ω
Protection class	III
Degree of protection	IP 54
Probe length	65 mm
Ambient temperature	-30°C ... +50°C
Storage temperature	-40°C ... +50°C
Ambient humidity	Max. 95% RH, non-condensing
Connection supply	Cable 1 m, 2 x 0.5 mm <sup>2</sup> , Betaflam cable heatresistant up to 145°C
Response temperature thermal fuse	Duct inside temperature +72 (95/120/140)°C Duct outside temperature +72 (95/120/140)°C



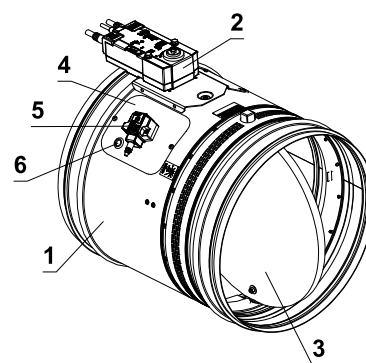
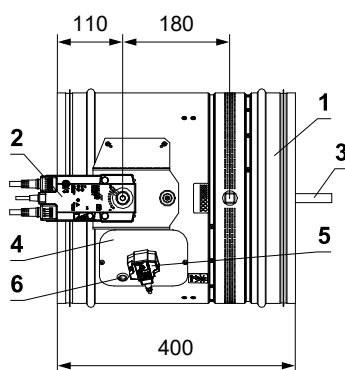
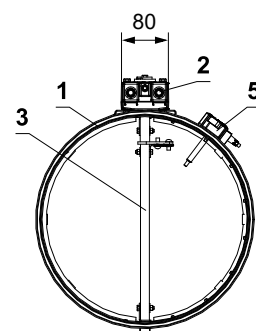
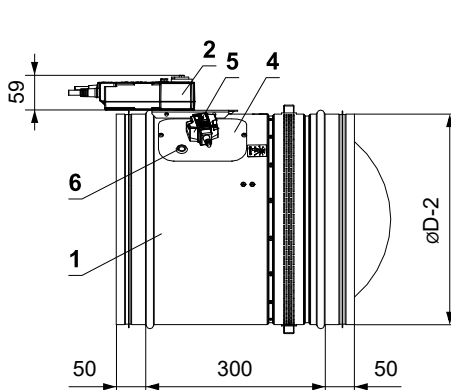
### III. DIMENSIONS

Design with manual control



- 1 Damper casing
- 2 Manual control
- 3 Damper blade
- 4 Inspection opening cover
- 5 Sensor sticker
- 6 Hole for camera

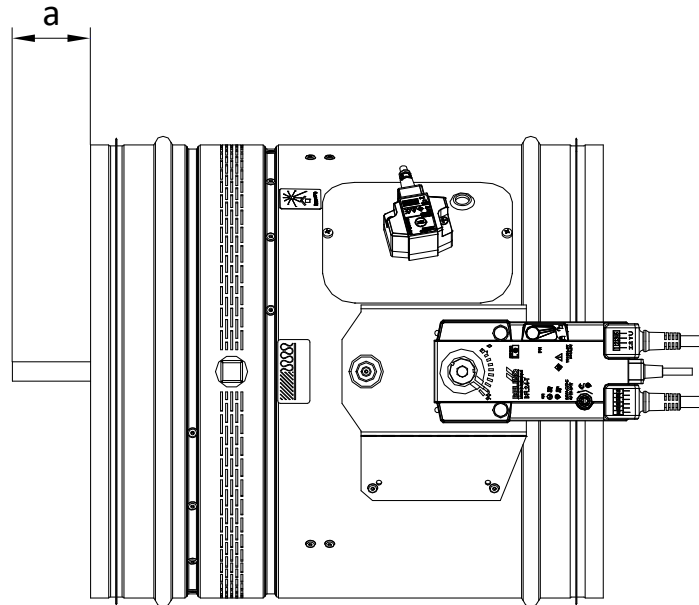
Design with spring return actuator



- 1 Damper casing
- 2 Spring return actuator
- 3 Damper blade
- 4 Inspection opening cover
- 5 Thermolectric activation device BAT
- 6 Hole for camera

**Damper blade overlaps**

- Open damper blade overlaps the damper casing by the value "a" or "c". These values are specified in chapter Technical parameters → see page 11



Values "a" has to be respected when projecting following air-conditioning duct.

**Fire damper with installation brackets**

- Weight of the installation bracket is 0,04 kg.
- Number of installation brackets for individual sizes → see page 11



## Technical parameters

Nominal size ØD [mm]	Damper blade overlaps  a [mm]	Weight		Number of installation brackets *	Effective area Sef [m <sup>2</sup> ]	Spring return actuator	Manual control
		Man. control [kg]	Spring return actuator [kg]				
100	-	2,9	2,8	2	0,0031		M1
125	-	3,2	3,1	2	0,0062		M1
140	-	3,3	3,2	2	0,0085		M1
150	-	3,4	3,3	2	0,0103		M1
160	-	3,5	3,5	2	0,0123		M1
180	-	3,9	3,8	3	0,0166		M1
200	-	4,2	4,1	3	0,0215		M1
225	-	4,5	4,5	3	0,0275	BFL	M1
250	8	4,8	4,7	3	0,0354		M2
280	23	5,3	5,2	3	0,0462		M2
300	35	5,5	5,4	3	0,0542		M2
315	40,5	5,9	5,8	3	0,0606		M2
350	59	6,5	5,9	3	0,0751		M2
355	60,4	7,2	6,4	3	0,0776		M2
400	83	8	7,3	3	0,1015		M2

\* Weight of an installation bracket is 0,04 kg.

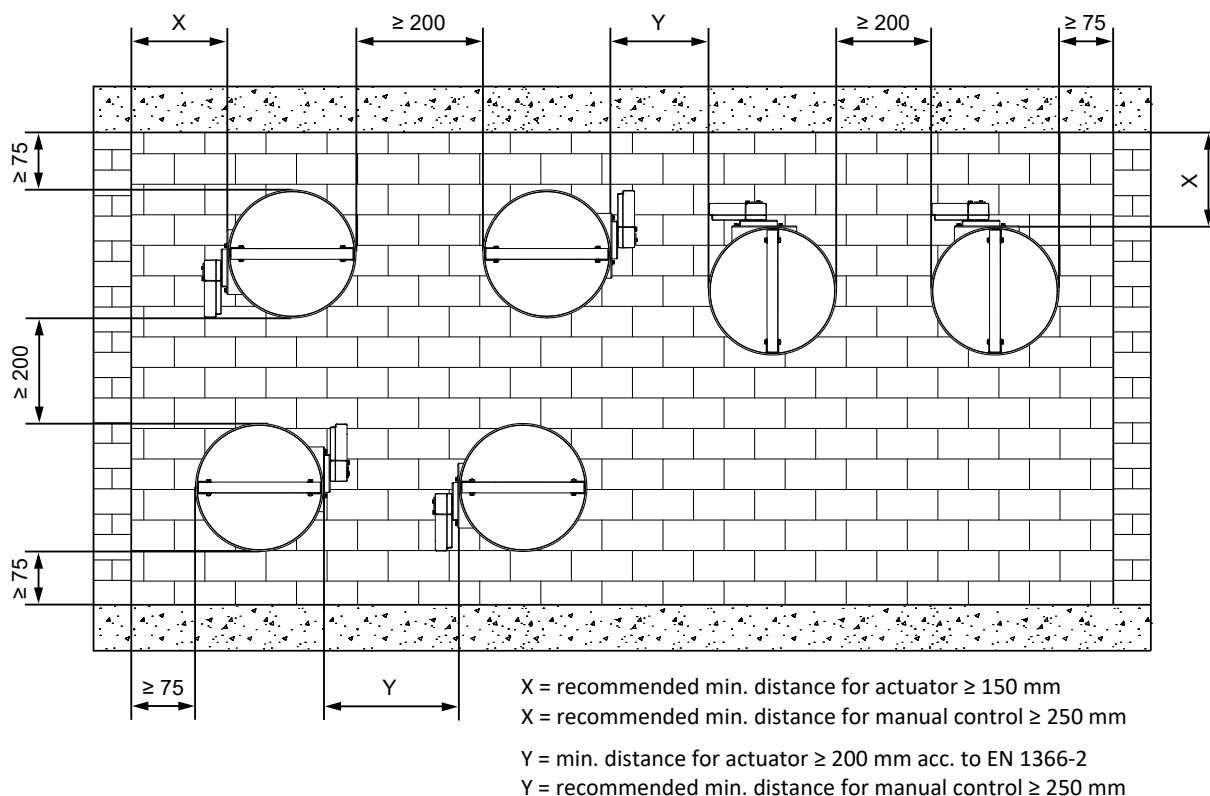
## IV. INSTALLATION

### Placement and installation

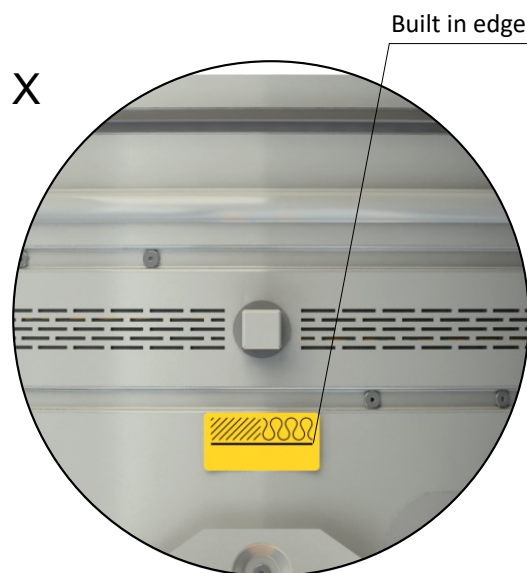
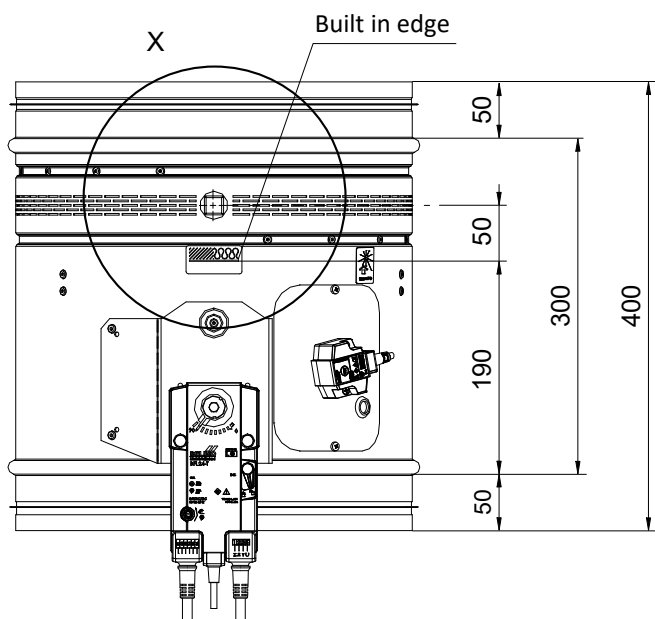
- The fire dampers are suitable for installation in arbitrary position in vertical and horizontal passages of fire separating constructions. The damper installation procedures must be done so that all load transfer from the fire separating constructions to the damper is absolutely excluded. Following air-conditioning duct must be suspended or supported so that all load transfer from the following duct to the fire damper is absolutely excluded. The gap between the installed damper and the fire separating construction must be perfectly filled with approved material.
- The damper must be installed so that the damper blade (in closed position) is situated in the fire separating construction - marked by the label BUILT-IN EDGE on the damper casing. If such solution is not possible, the duct between the fire separating construction and the damper blade must be protected according to the certified installation method → see pages 15 to 31
- During the installation and plastering process, the actuating mechanism must be protected (covered) against damage and pollution. The damper casing should not be deformed during bricking in. Once the damper is built in, the damper blade should not grind against the damper casing during opening or closing.
- The distance between the fire damper and the construction (wall, ceiling) must be 75 mm at the minimum, according to EN 1366-2. If two or more dampers are to be installed in one fire separating construction, the distance between adjacent dampers must be 200 mm at the minimum, according to EN 1366-2.

#### Minimum distance between the fire dampers and the construction

- minimum distance 200 mm between dampers, according to EN 1366-2
- minimum distance 75 mm between damper and construction (wall/ceiling), according to EN 1366-2
- recommended minimum distance 150 mm necessary for access to the actuator
- recommended minimum distance 250 mm necessary for access to the manual control

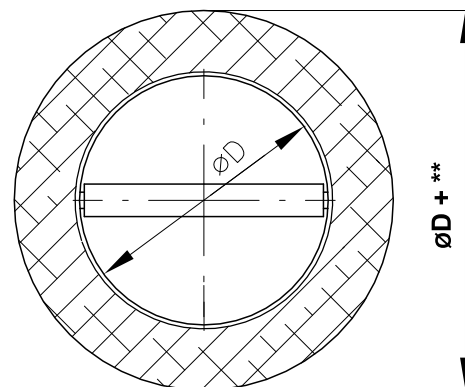
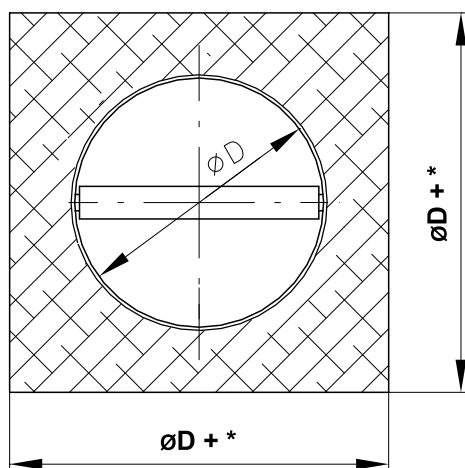


**Built in edge**



*"BUILT IN EDGE label" indicates the recommended edge of installation of a fire damper in the fire separating construction (wall/ceiling). The damper must be installed so that the entire damper blade (in the closed position) is located in the fire separating construction (wall/ceiling) and at the same time the actuating mechanism and inspection openings are freely accessible.*

**Dimensions of an installation opening**



**\*\* Mortar or gypsum, damper in solid wall construction (round opening)**

- min. ØD+100
- max. ØD+300

**\* Mortar or gypsum, damper in solid/gypsum wall construction/outside ceiling construction**

- min. ØD+100
- max. ØD+300

**\* Ablative Coated Batt, damper in solid/gypsum wall construction, outside solid/gypsum wall construction**

- ØD+100

**\* Ablative Coated Batt with fire-resistant boards, damper in/outside sandwich wall construction**

- min. ØD+60
- max. ØD+150

**\* Ablative Coated Batt, damper in gypsum one-sided mounted shaft wall construction**

- min. ØD+60
- max. ØD+150

**\* Mortar or gypsum, damper in ceiling construction**

- ØD+100

**\* Ablative Coated Batt, damper in ceiling construction**

- min. ØD+60
- max. ØD+150

## Statement of installations

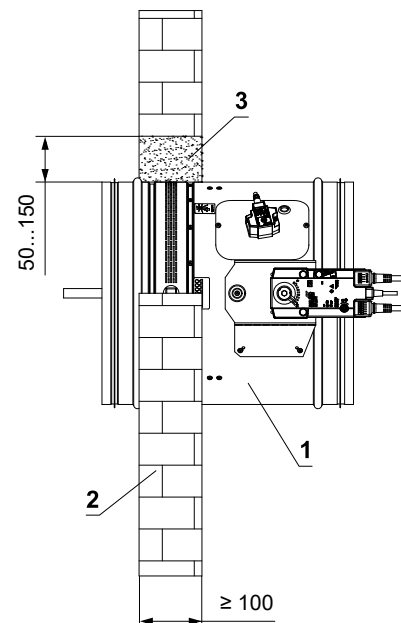
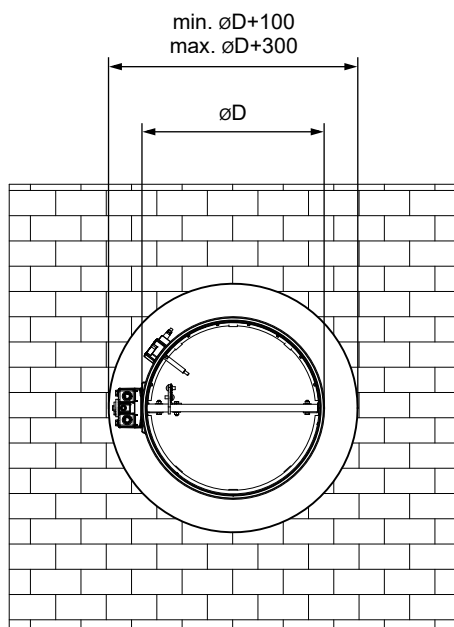
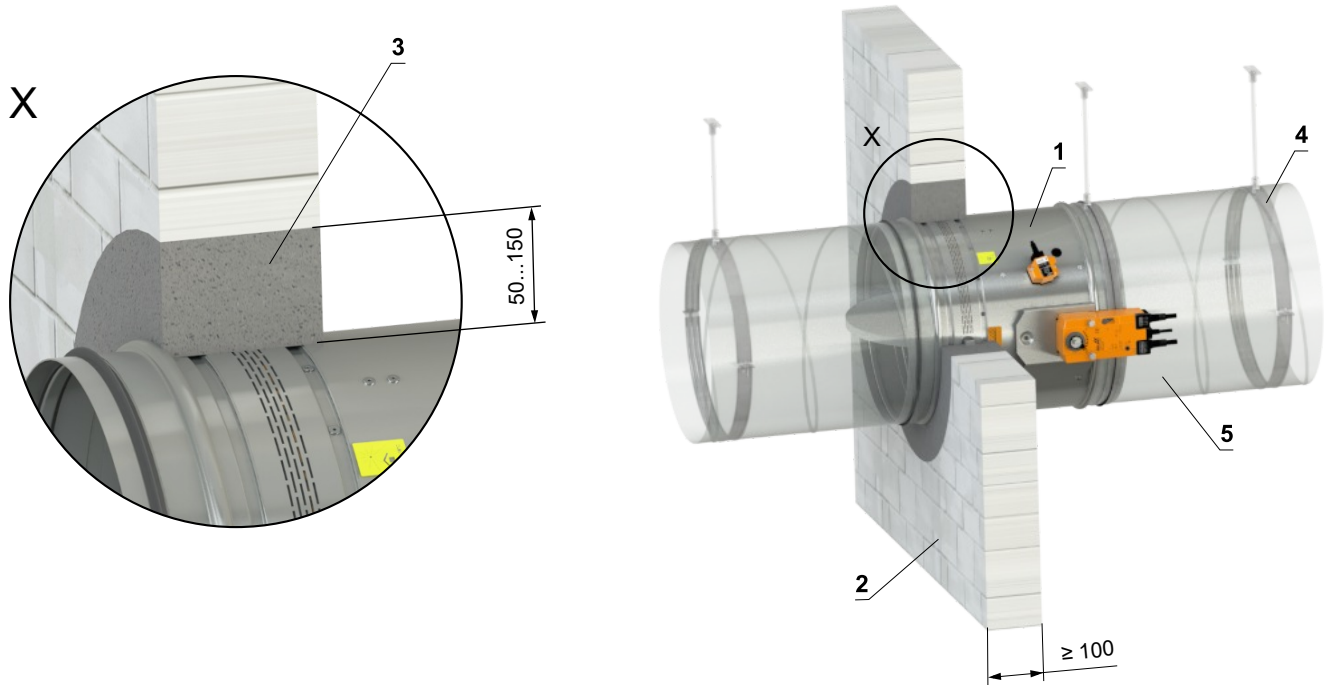
Installation	wall/ceiling min. thickness [mm]	Method of installation	Fire resistance	Page
In solid wall construction	100	Mortar or gypsum	EI 60 (v <sub>e</sub> ) S [V/H]	15
		Ablative Coated Batt		16
		Up to 4 dampers in one installation opening - mortar or gypsum Damper installed ≥ 30 mm from adjacent construction - mortar or gypsum	EI 45 (v <sub>e</sub> ) S [V/H]	17
		Up to 4 dampers in one installation opening - Ablative Coated Batt Damper installed ≥ 30 mm from adjacent construction - Ablative Coated Batt		18
Outside solid wall construction	100	ISOVER Ultimate Protect - Ablative Coated Batt	EI 60 (v <sub>e</sub> ) S [V/H]	19
In gypsum wall construction	100	Mortar or gypsum	EI 60 (v <sub>e</sub> ) S [V/H]	20
		Ablative Coated Batt		21
		Up to 4 dampers in one installation opening - mortar or gypsum Damper installed ≥ 30 mm from adjacent construction - mortar or gypsum	EI 45 (v <sub>e</sub> ) S [V/H]	22
		Up to 4 dampers in one installation opening - Ablative Coated Batt Damper installed ≥ 30 mm from adjacent construction - Ablative Coated Batt		23
Outside gypsum wall construction	100	ISOVER Ultimate Protect - Ablative Coated Batt	EI 60 (v <sub>e</sub> ) S [V/H]	24
In sandwich wall construction	100	Ablative Coated Batt with fire-resistant boards	EI 60 (v <sub>e</sub> ) S [V/H]	25
Outside sandwich wall construction	100	ISOVER Ultimate Protect - Ablative Coated Batt with fire-resistant boards	EI 60 (v <sub>e</sub> ) S [V/H]	26
In shaft wall construction	105	In gypsum one-sided mounted shaft wall construction - Ablative Coated Batt	EI 60 (v <sub>e</sub> ) S [V/H]	27
In solid ceiling construction	150	Mortar or gypsum	EI 60 (h <sub>o</sub> ) S [H]	28
		Ablative Coated Batt		29
Outside solid ceiling construction	150	ISOVER Ultimate Protect - mortar or gypsum (damper under ceiling)	EI 60 (h <sub>o</sub> ) S [H]	30
		ISOVER Ultimate Protect - mortar or gypsum (damper above ceiling)		31

**Installation in solid wall construction**

In solid wall construction - mortar or gypsum

EI 60 (v<sub>e</sub>) S [V/H]

- For connection of following duct → see page 35

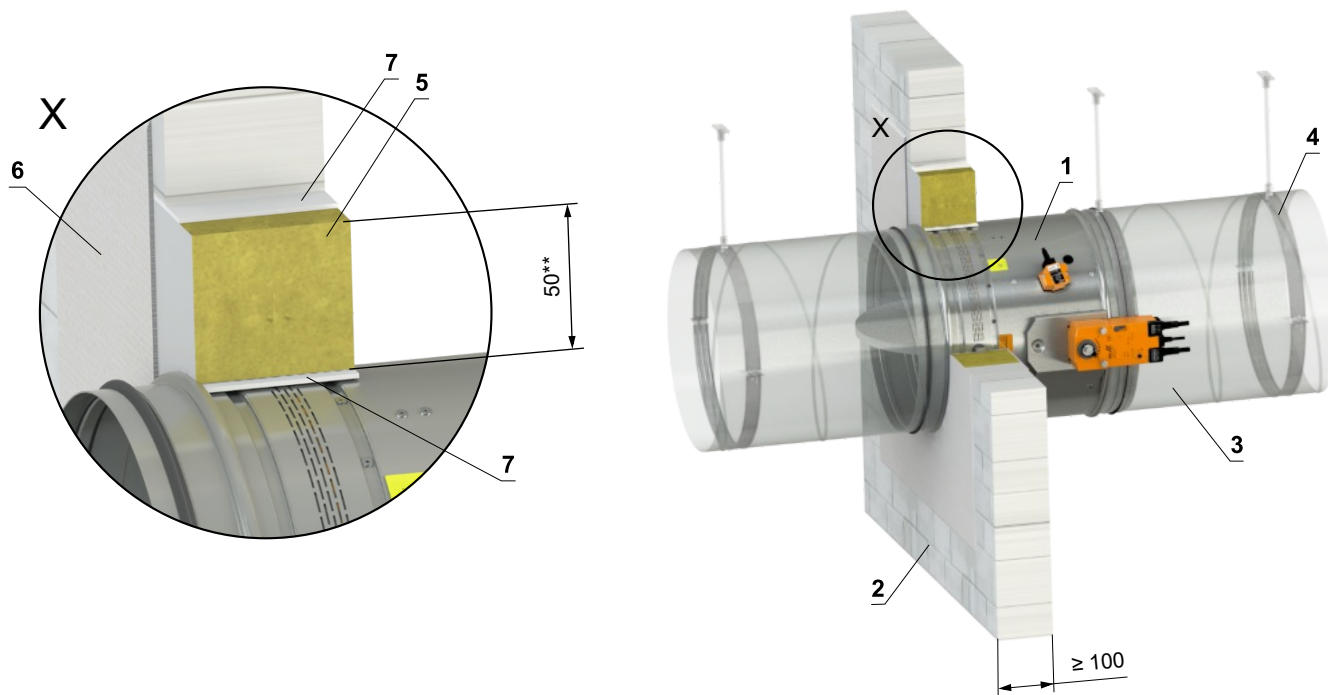


- 1 FDMR 60
- 2 Solid wall construction
- 3 Mortar or gypsum
- 4 Clamp with threaded rod → see pages 32 to 34
- 5 Duct

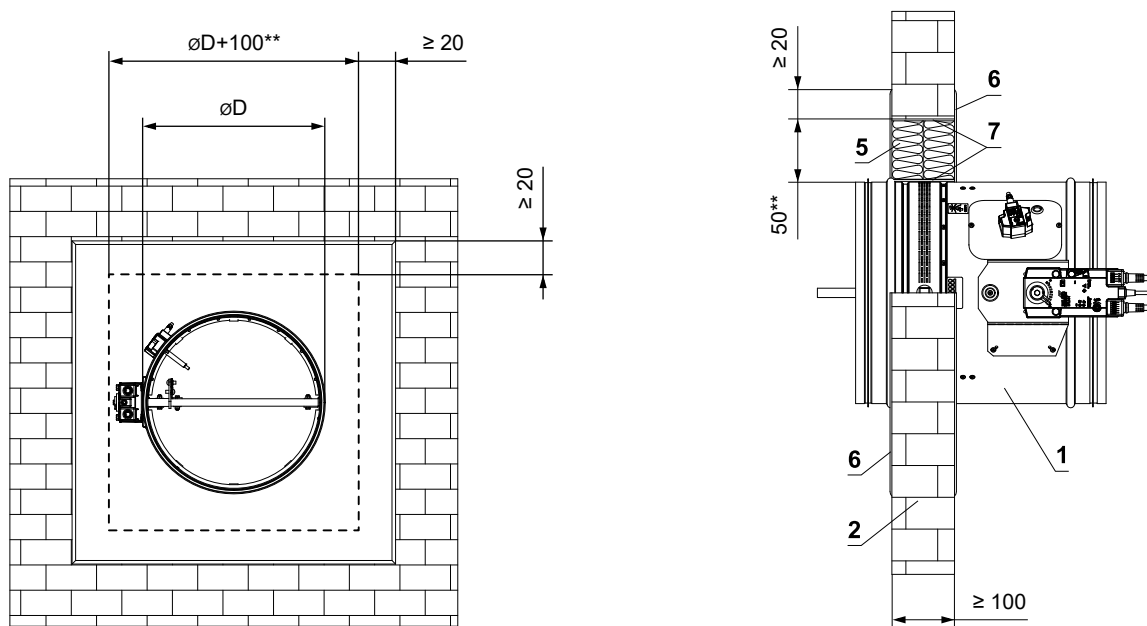
In solid wall construction - Ablative Coated Batt

EI 60 (v<sub>e</sub>) S [V/H]

- For connection of following duct → see page 35



\*\* For fire resistance EI 45 S is approved opening between the construction and the damper in the range of 30...75 mm.



- 1 FDMR 60
- 2 Solid wall construction
- 3 Duct
- 4 Clamp with threaded rod → see pages 32 to 34
- Ablative Coated Batt System HILTI\*
- 5 Mineral wool board - min. density 140 kg/m<sup>3</sup> (HILTI CFS-CT B 1S 140/50...)
- 6 Fire stop coating - th. 1 mm (HILTI CFS-CT...) - coating is overcoated on the support construction and on the damper casing/duct
- 7 Fire-resistant mastic - (HILTI CFS-S ACR...) fill the gap from both sides of the fire separation construction and around the perimeter of penetration and damper casing

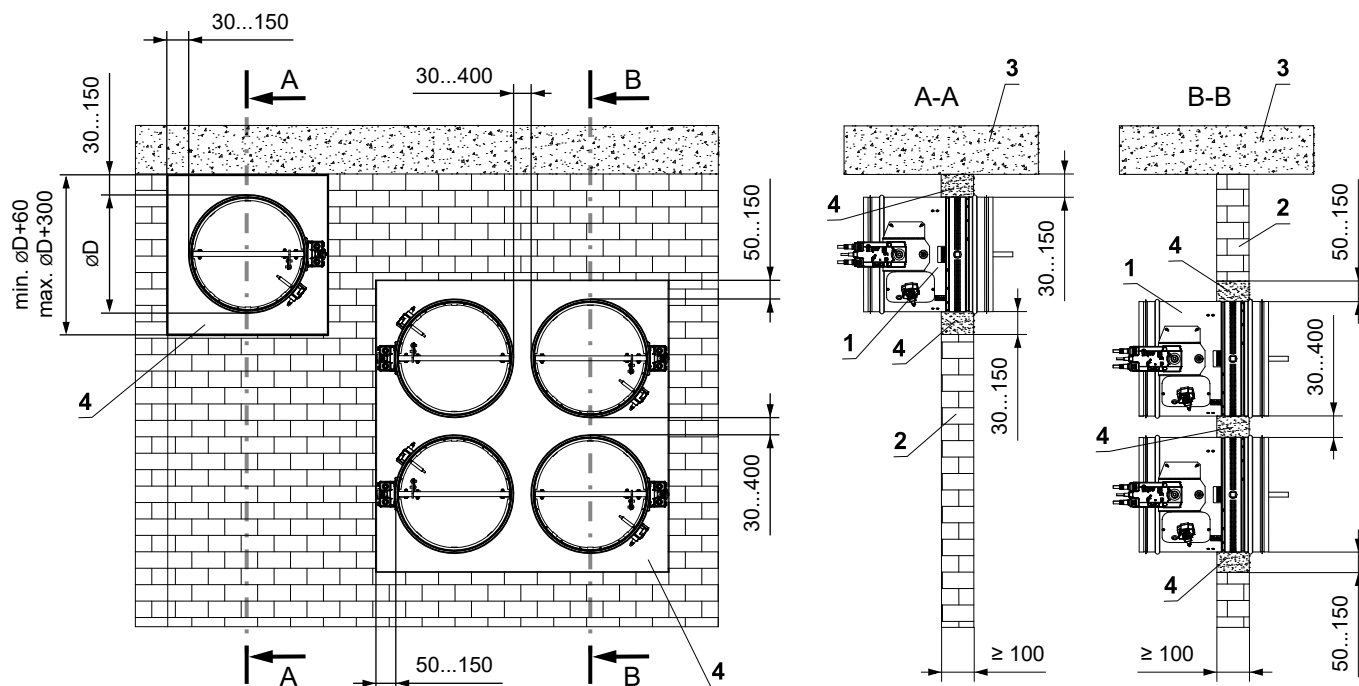
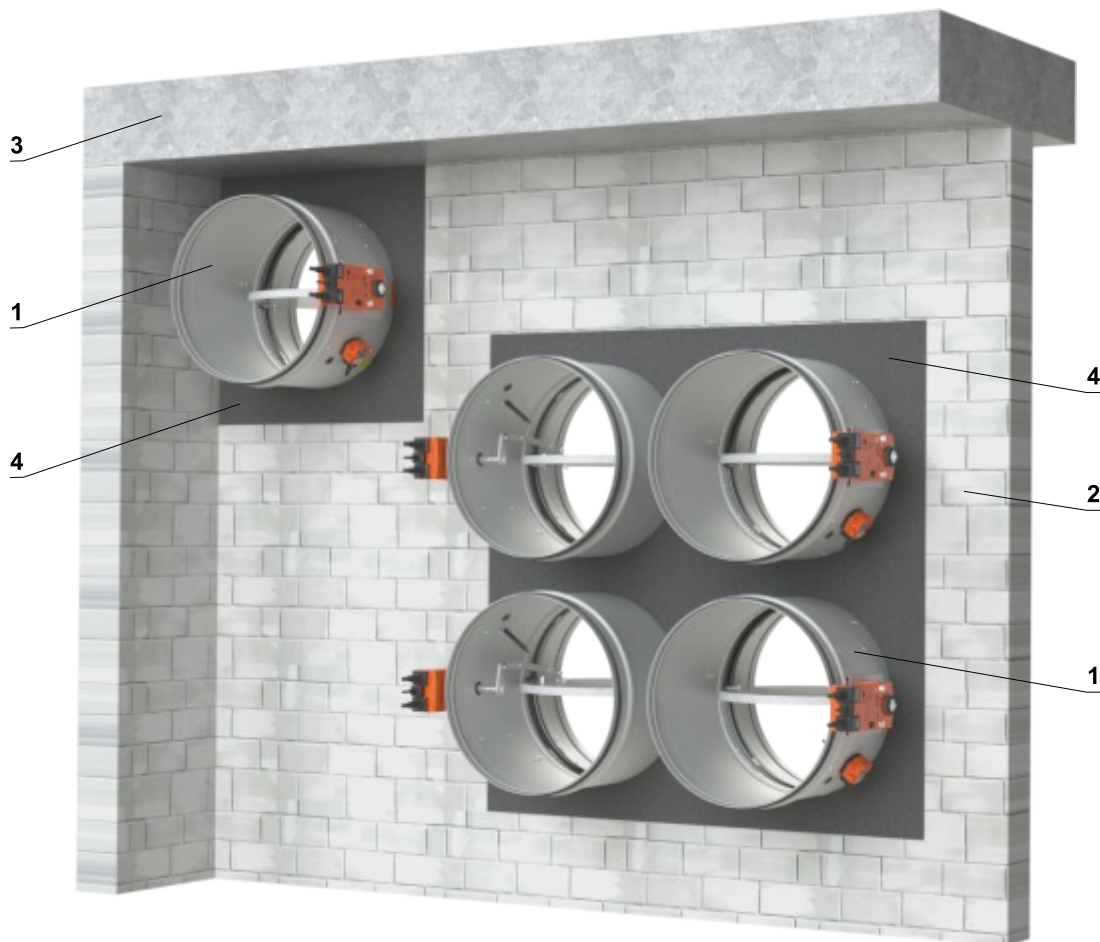
\* HILTI system can be replaced by a similar system with the same or higher thickness, density, fire reaction class, tested according to EN 1366-3.



In solid wall construction - up to 4 dampers in one installation opening - mortar or gypsum  
 - damper installed  $\geq 30$  mm from adjacent construction - mortar or gypsum

■ For connection of following duct  $\rightarrow$  see page 35

EI 45 (v<sub>e</sub>) S [V/H]

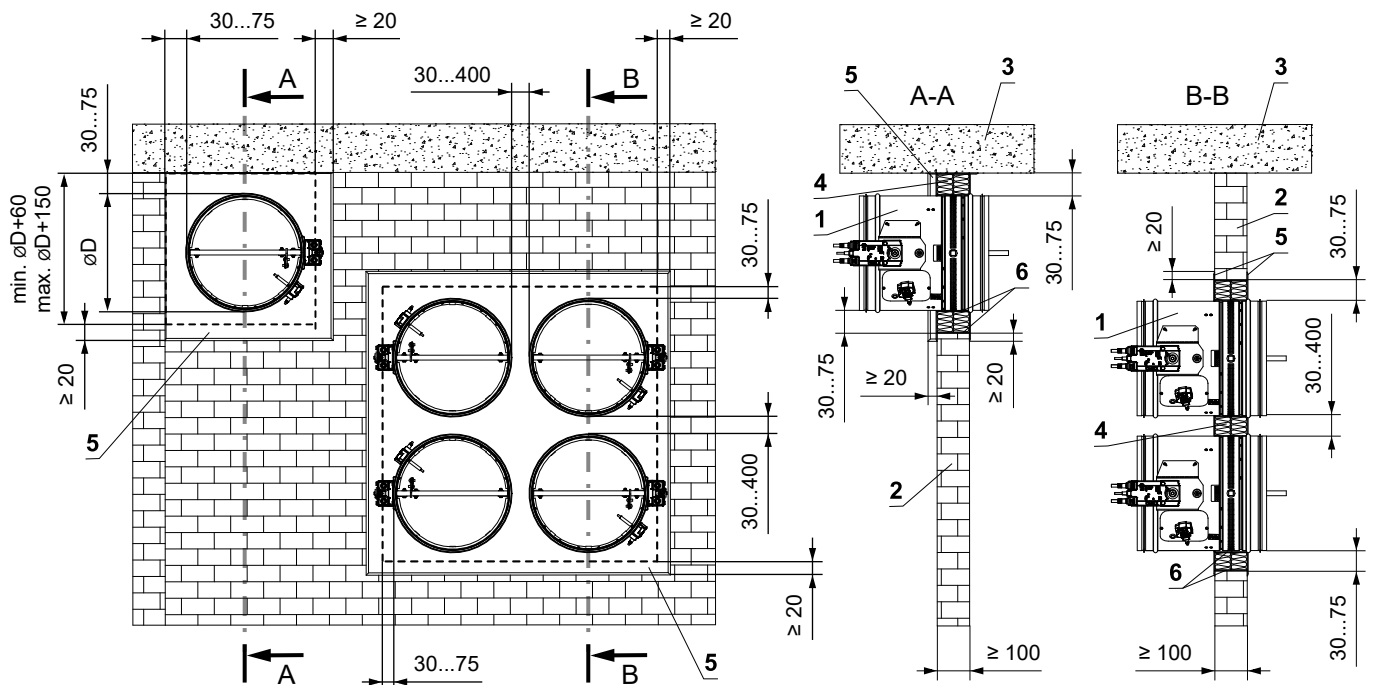
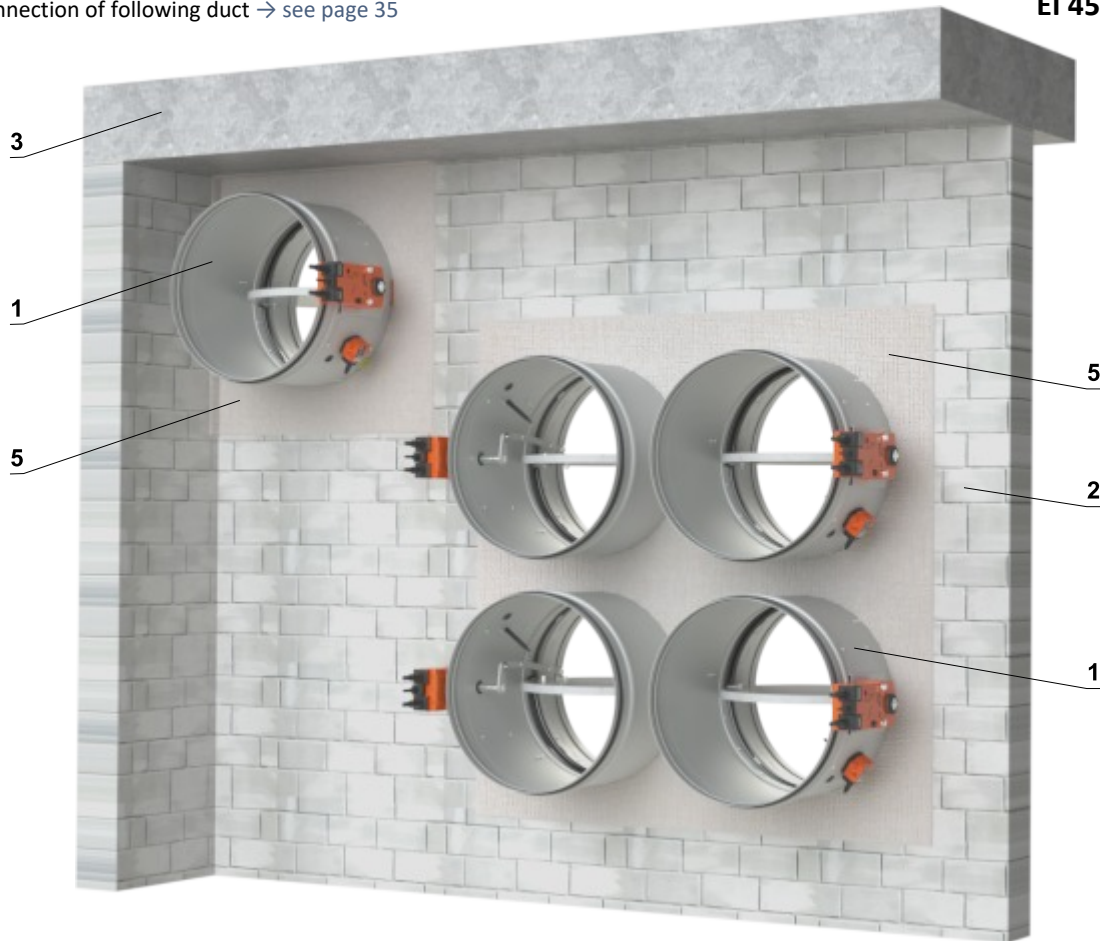


- 1 FDMR 60
- 2 Solid wall construction
- 3 Solid ceiling construction
- 4 Mortar or gypsum

**In solid wall construction - up to 4 dampers in one installation opening - Ablative Coated Batt  
- damper installed ≥ 30 mm from adjacent construction - Ablative Coated Batt**

■ For connection of following duct → see page 35

**EI 45 (v<sub>e</sub>) S [V/H]**



- 1 FDMR 60
- 2 Solid wall construction
- 3 Solid ceiling construction
- Ablative Coated Batt System HILTI\*
- 4 Mineral wool board - min. density 140 kg/m<sup>3</sup> (HILTI CFS-CT B 1S 140/50...)
- 5 Fire stop coating - th. 1 mm (HILTI CFS-CT...) - coating is overcoated on the support construction and on the damper casing/duct
- 6 Fire-resistant mastic - (HILTI CFS-S ACR...) fill the gap from both sides of the fire separation construction and around the perimeter of penetration and damper casing

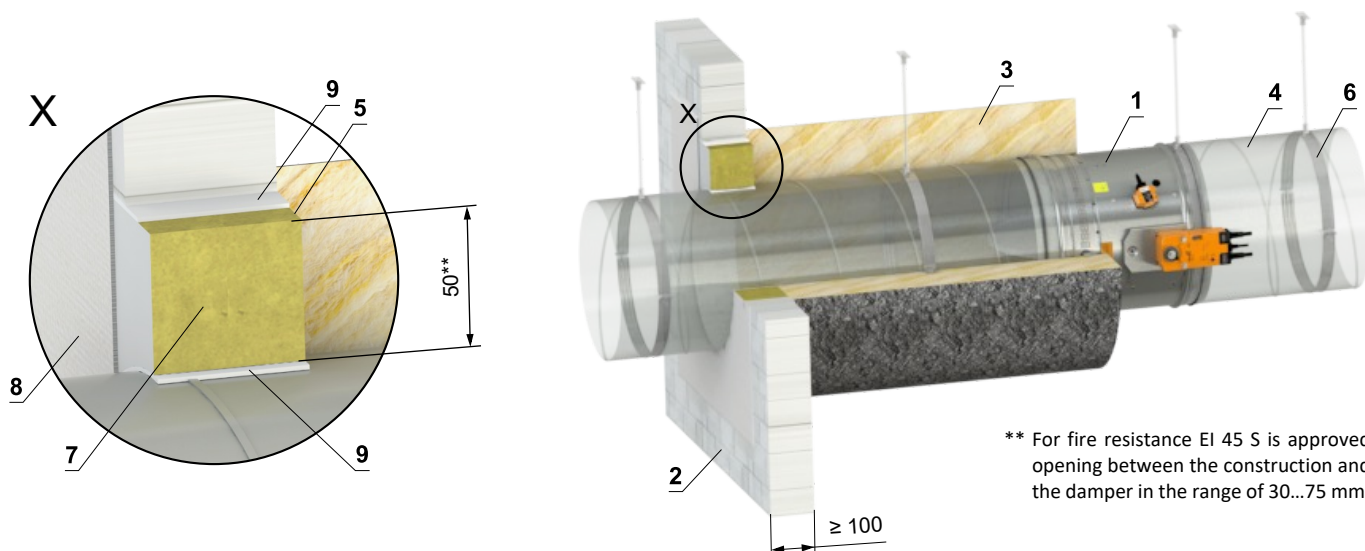
\* HILTI system can be replaced by a similar system with the same or higher thickness, density, fire reaction class, tested according to EN 1366-3.

### Installation outside solid wall construction

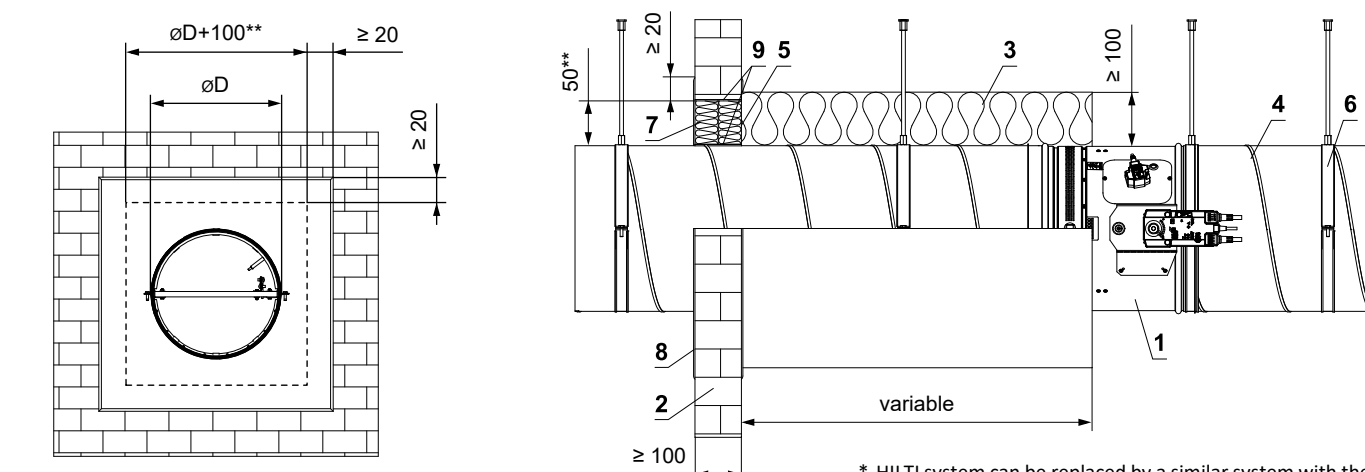
#### Outside solid wall construction - ISOVER Ultimate Protect - Ablative Coated Batt

EI 60 (v<sub>e</sub>) S [V/H]

- For connection of following duct → see page 35
- Minimum and maximum distance between the wall and fire damper is unlimited
- When installing the insulation, follow the ISOVER manufacturer's instructions
- The damper and the duct must be suspended separately
- The duct must be suspended on both sides of damper acc. to national rules
- Duct between fire damper and fire separating construction must be suspended by using threaded rods and mounting profiles, or another mounting system acc. to national standards
- Load of the suspension system depends on weight of the fire damper and duct system → see page 32
- Max. distance between two suspension systems is 1500 mm
- Duct at the point of penetration must be fixed to the fire separation structure
- Following air-conditioning duct must be suspended or supported so that all load transfer from the following duct to the fire damper is absolutely excluded. Adjacent duct must be suspended or supported, as required by the duct suppliers
- If the threaded rod is located inside the duct insulation, distance between threaded rod and duct is max 30 mm
- If the threaded rod is located outside the duct isolation, distance between threaded rod and isolation is max. 40 mm



\*\* For fire resistance EI 45 S is approved opening between the construction and the damper in the range of 30...75 mm.



\* HILTI system can be replaced by a similar system with the same or higher thickness, density, fire reaction class, tested according to EN 1366-3.

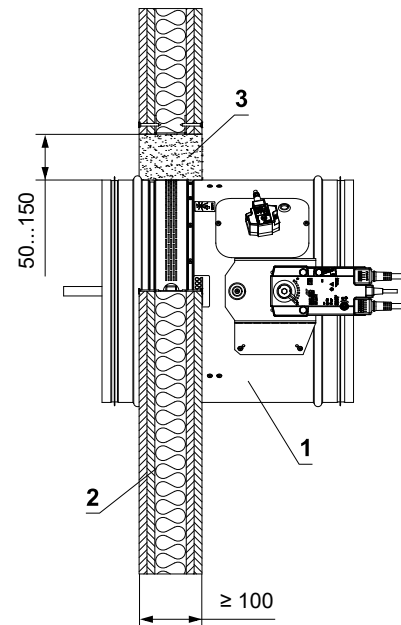
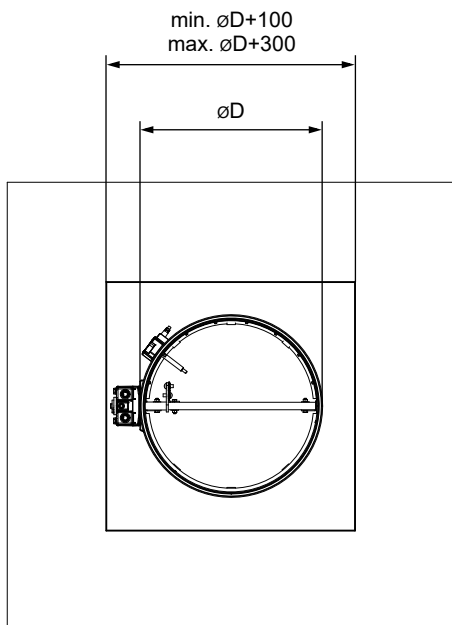
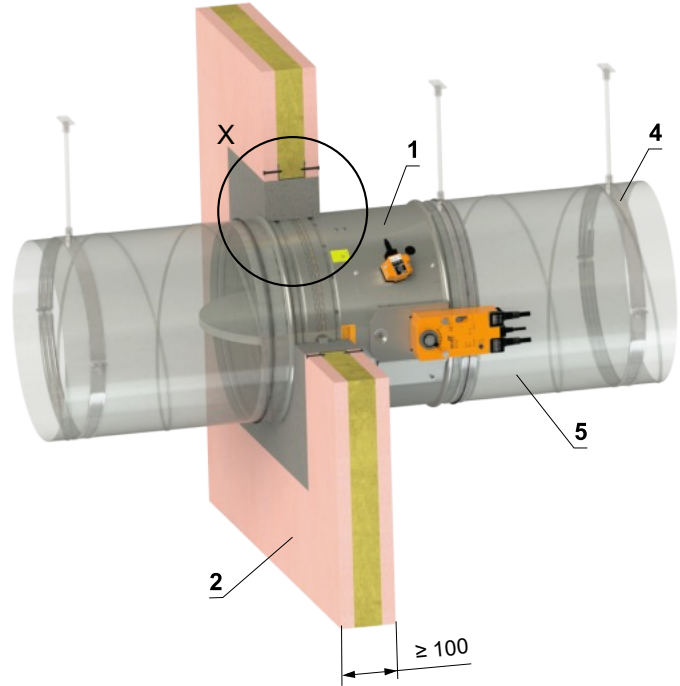
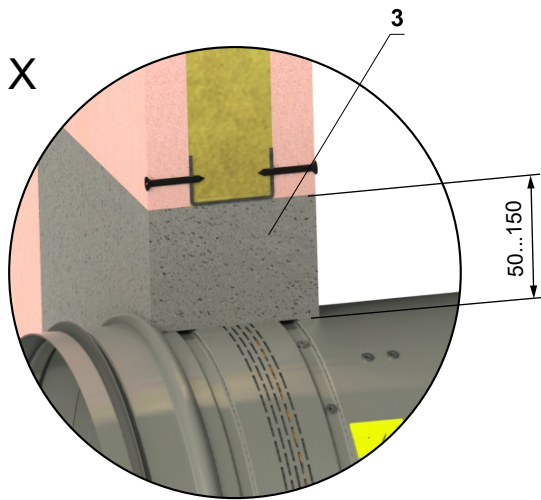
- 1 FDMR 60
- 2 Solid wall construction
- 3 Insulation board made of mineral wool, with a surface treatment of aluminum foil, min. density 66 kg/m<sup>3</sup> (System ISOVER Ultimate Protect Wired Mat 4.0 Alu1)
- 4 Standard air duct, made of galvanized sheet metal min. thickness 0,8 mm
- 5 ISOVER Protect BSK glue - apply on the insulation and fix it to the fire separation construction
- 6 Clamp with threaded rod → see pages 32 to 34
- 7 Ablative Coated Batt System HILTI\*
- 8 Mineral wool board - min. density 140 kg/m<sup>3</sup> (HILTI CFS-CT B 1S 140/50...)
- 9 Fire stop coating - th. 1 mm (HILTI CFS-CT...) - coating is overcoated on the support construction and on the damper casing/duct
- 9 Fire-resistant mastic - (HILTI CFS-S ACR...) fill the gap from both sides of the fire separation construction and around the perimeter of penetration and damper casing

Installation in gypsum wall construction

In gypsum wall construction - mortar or gypsum

EI 60 (v<sub>e</sub>) S [V/H]

- For connection of following duct → see page 35

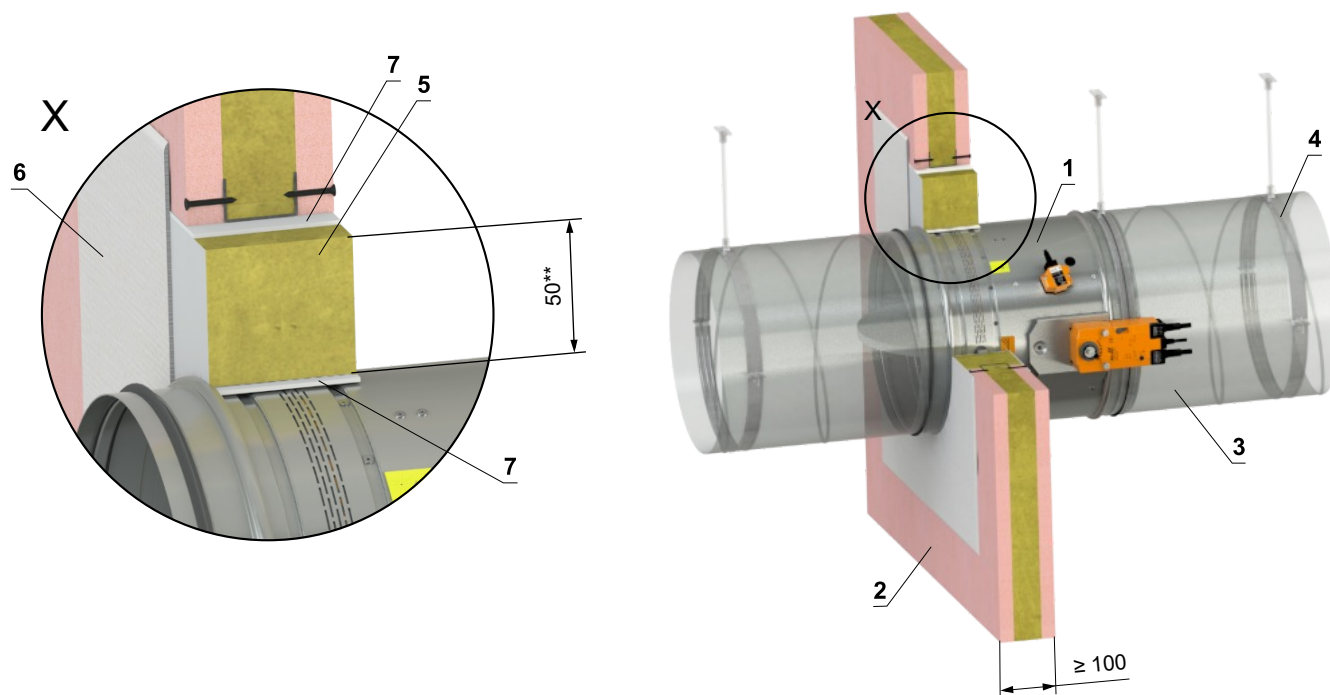


- 1 FDMR 60
- 2 Gypsum wall construction
- 3 Mortar or gypsum
- 4 Clamp with threaded rod → see pages 32 to 34
- 5 Duct

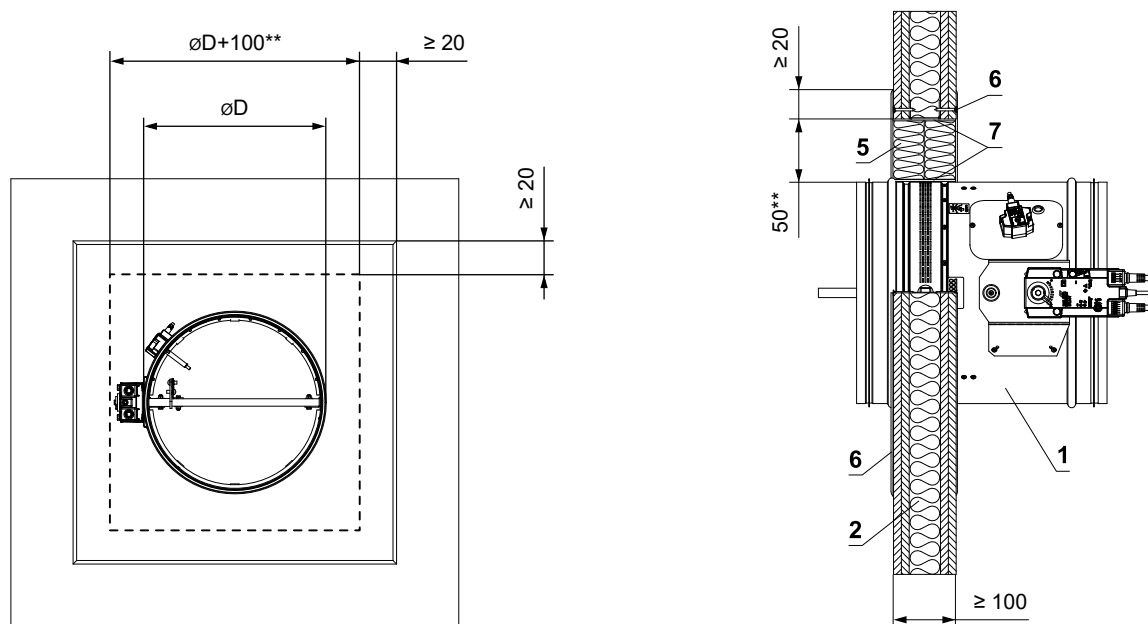
In gypsum wall construction - Ablative Coated Batt

EI 60 (ve) S [V/H]

- For connection of following duct → see page 35



\*\* For fire resistance EI 45 S is approved opening between the construction and the damper in the range of 30...75 mm.



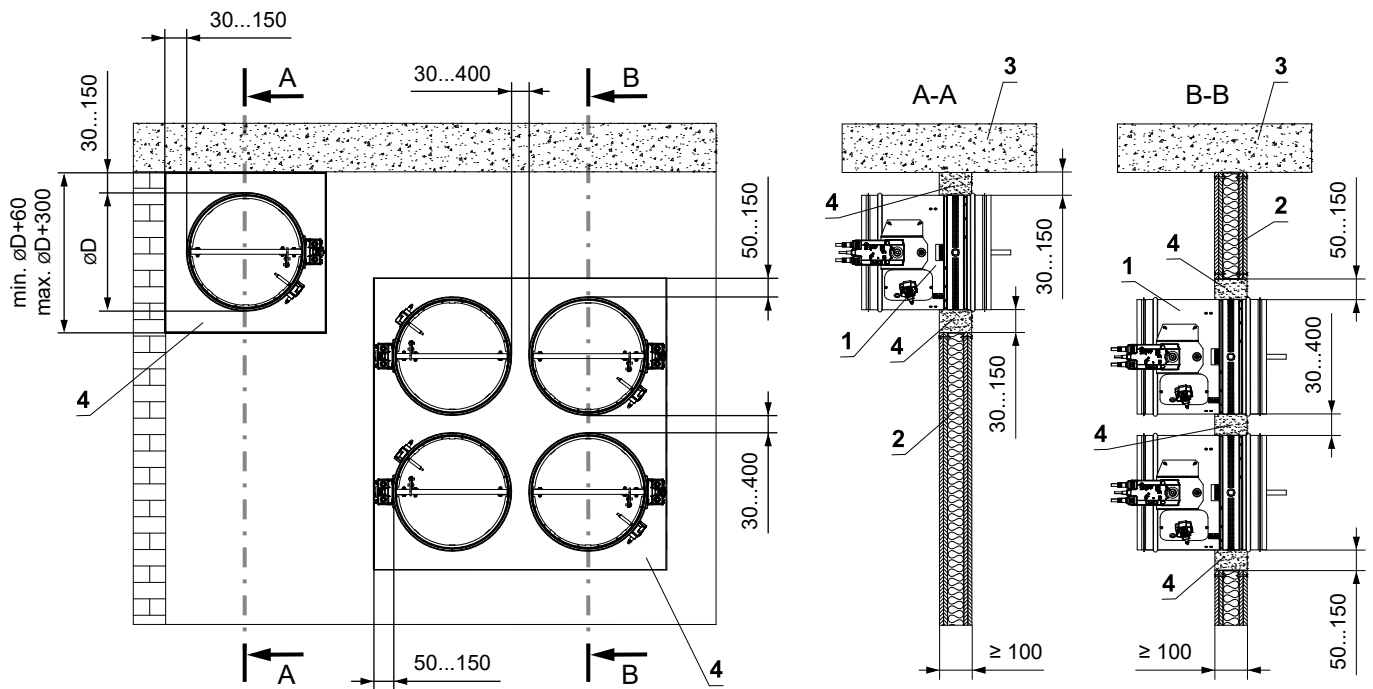
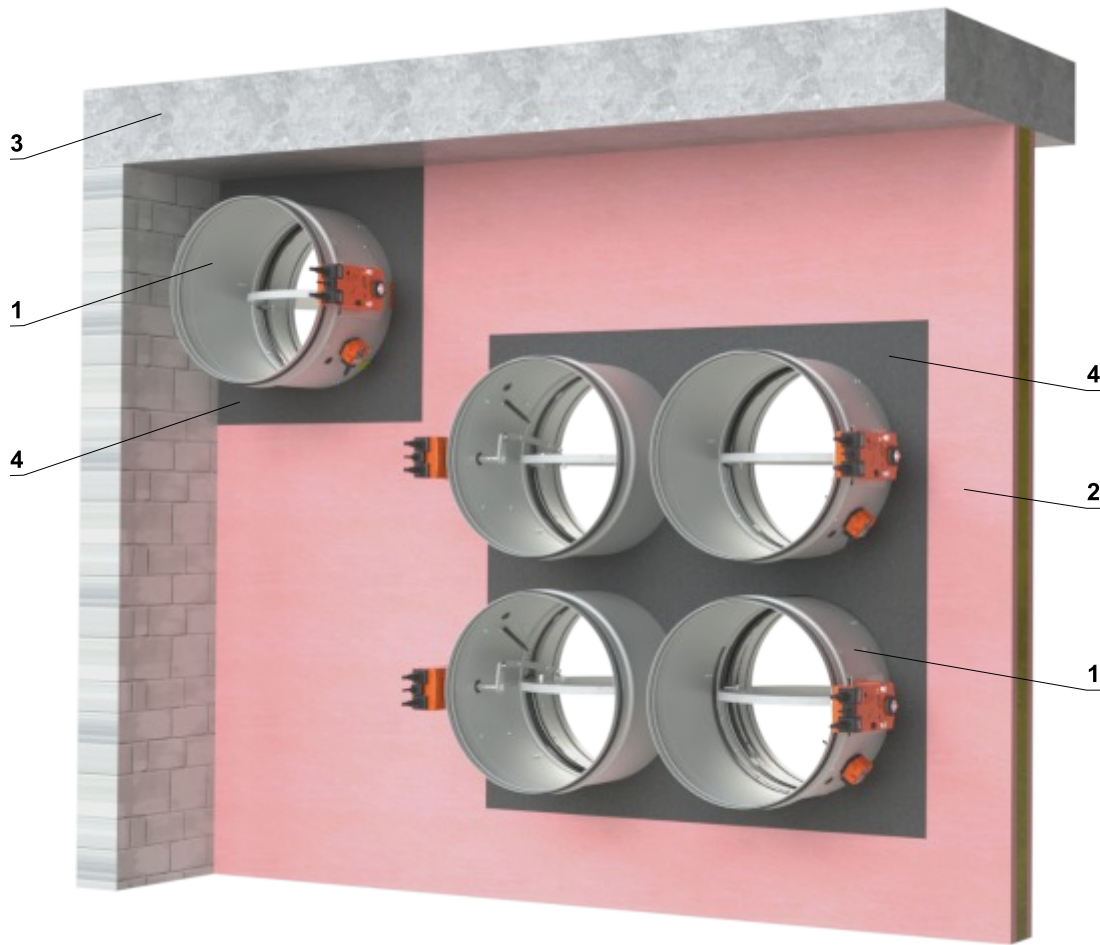
- 1 FDMR 60
  - 2 Gypsum wall construction
  - 3 Duct
  - 4 Clamp with threaded rod → see pages 32 to 34
- Ablative Coated Batt System HILTI\*
- 5 Mineral wool board - min. density 140 kg/m<sup>3</sup> (HILTI CFS-CT B 1S 140/50...)
  - 6 Fire stop coating - th. 1 mm (HILTI CFS-CT...) - coating is overcoated on the support construction and on the damper casing/duct
  - 7 Fire-resistant mastic - (HILTI CFS-S ACR...) fill the gap from both sides of the fire separation construction and around the perimeter of penetration and damper casing

\* HILTI system can be replaced by a similar system with the same or higher thickness, density, fire reaction class, tested according to EN 1366-3.

In gypsum wall construction - up to 4 dampers in one installation opening - mortar or gypsum  
 - damper installed  $\geq 30$  mm from adjacent construction - mortar or gypsum

■ For connection of following duct  $\rightarrow$  see page 35

EI 45 (v<sub>e</sub>) S [V/H]

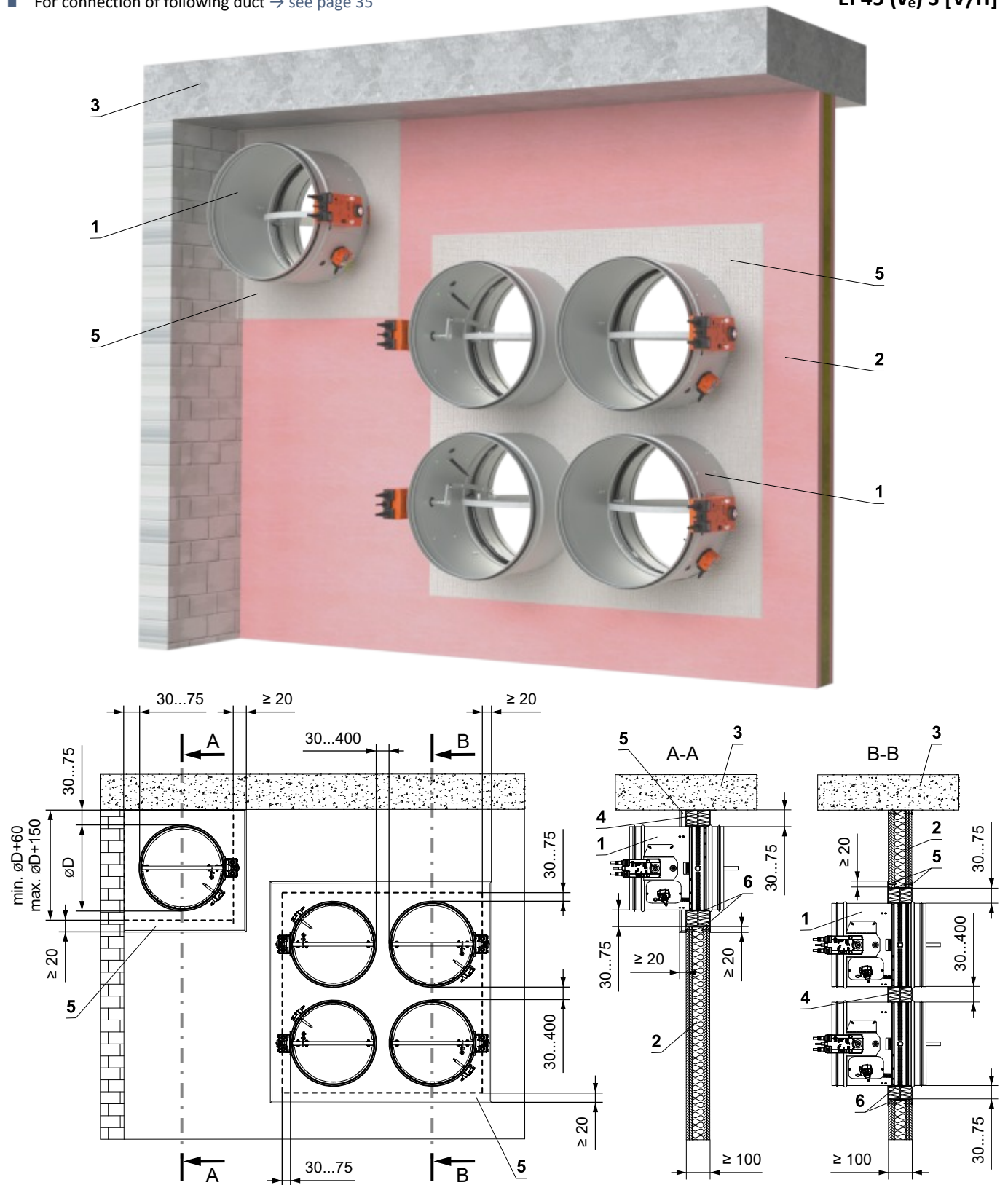


- 1 FDMR 60
- 2 Gypsum wall construction
- 3 Solid ceiling construction
- 4 Mortar or gypsum

**In gypsum wall construction - up to 4 dampers in one installation opening - Ablative Coated Batt**  
 - damper installed  $\geq 30$  mm from adjacent construction - Ablative Coated Batt

■ For connection of following duct → see page 35

**EI 45 (v<sub>e</sub>) S [V/H]**



- 1 FDMR 60
- 2 Gypsum wall construction
- 3 Solid ceiling construction
- Ablative Coated Batt System HILTI\*
- 4 Mineral wool board - min. density 140 kg/m<sup>3</sup> (HILTI CFS-CT B 1S 140/50...)
- 5 Fire stop coating - th. 1 mm (HILTI CFS-CT...) - coating is overcoated on the support construction and on the damper casing/duct
- 6 Fire-resistant mastic - (HILTI CFS-S ACR...) fill the gap from both sides of the fire separation construction and around the perimeter of penetration and damper casing

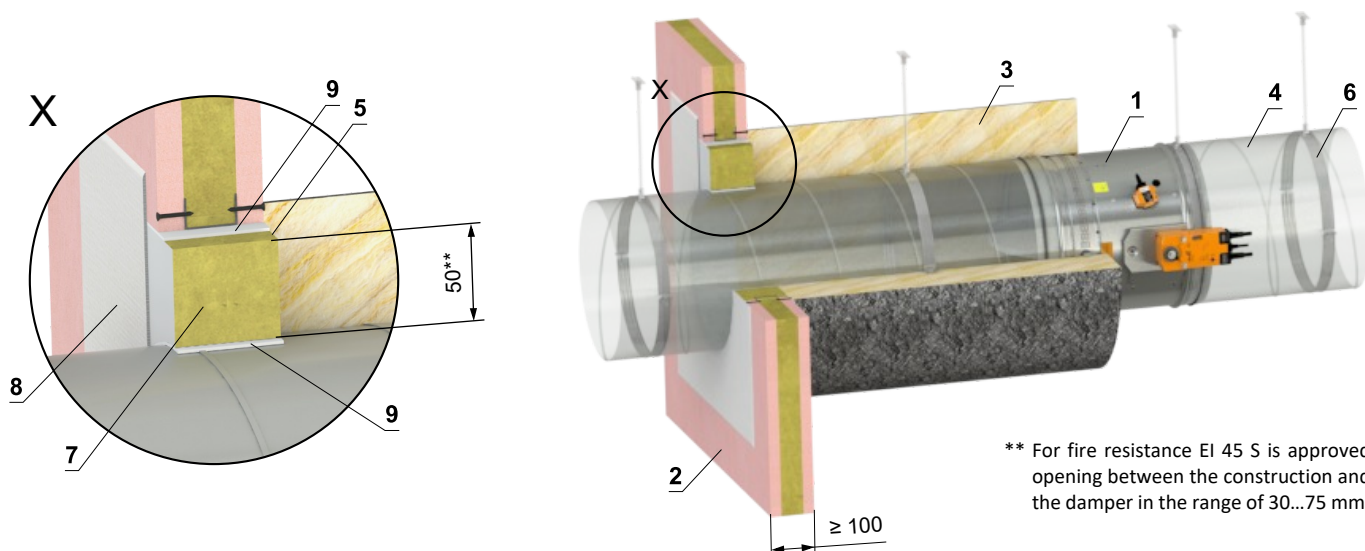
\* HILTI system can be replaced by a similar system with the same or higher thickness, density, fire reaction class, tested according to EN 1366-3.

## Installation outside gypsum wall construction

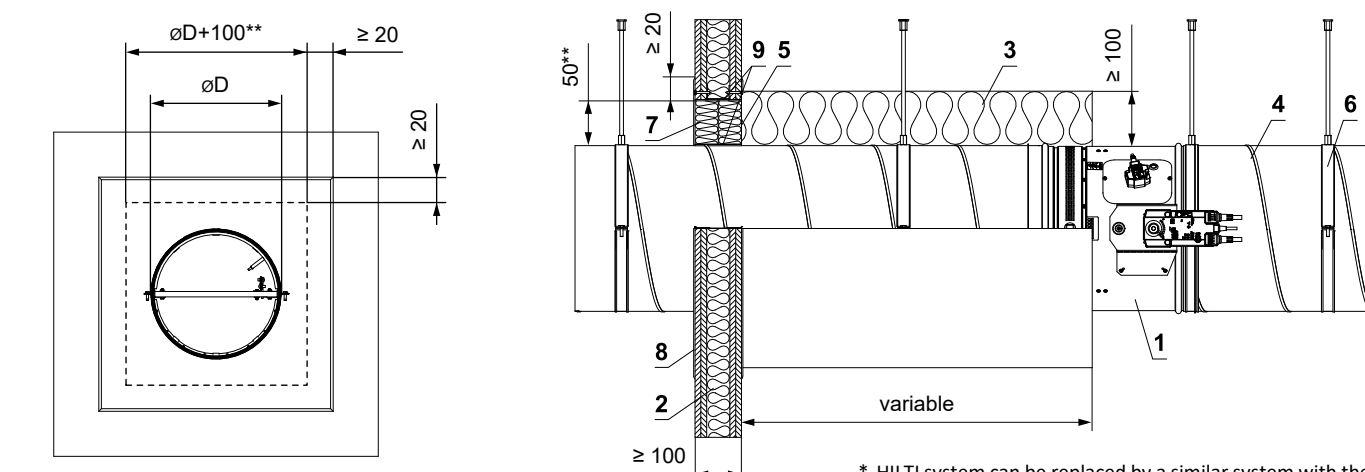
### Outside gypsum wall construction - ISOVER Ultimate Protect - Ablative Coated Batt

EI 60 (v<sub>e</sub>) S [V/H]

- For connection of following duct → see page 35
- Minimum and maximum distance between the wall and fire damper is unlimited
- When installing the insulation, follow the ISOVER manufacturer's instructions
- The damper and the duct must be suspended separately
- The duct must be suspended on both sides of damper acc. to national rules
- Duct between fire damper and fire separating construction must be suspended by using threaded rods and mounting profiles, or another mounting system acc. to national standards
- Load of the suspension system depends on weight of the fire damper and duct system → see page 32
- Max. distance between two suspension systems is 1500 mm
- Duct at the point of penetration must be fixed to the fire separation structure
- Following air-conditioning duct must be suspended or supported so that all load transfer from the following duct to the fire damper is absolutely excluded. Adjacent duct must be suspended or supported, as required by the duct suppliers
- If the threaded rod is located inside the duct insulation, distance between threaded rod and duct is max 30 mm
- If the threaded rod is located outside the duct isolation, distance between threaded rod and isolation is max. 40 mm



\*\* For fire resistance EI 45 S is approved opening between the construction and the damper in the range of 30...75 mm.



\* HILTI system can be replaced by a similar system with the same or higher thickness, density, fire reaction class, tested according to EN 1366-3.

- 1 FDMR 60
- 2 Gypsum wall construction
- 3 Insulation board made of mineral wool, with a surface treatment of aluminum foil, min. density 66 kg/m<sup>3</sup> (System ISOVER Ultimate Protect Wired Mat 4.0 Alu1)
- 4 Standard air duct, made of galvanized sheet metal min. thickness 0,8 mm
- 5 ISOVER Protect BSK glue - apply on the insulation and fix it to the fire separation construction
- 6 Clamp with threaded rod → see pages 32 to 34
- Ablative Coated Batt System HILTI\*
- 7 Mineral wool board - min. density 140 kg/m<sup>3</sup> (HILTI CFS-CT B 1S 140/50...)
- 8 Fire stop coating - th. 1 mm (HILTI CFS-CT...) - coating is overcoated on the support construction and on the damper casing/duct
- 9 Fire-resistant mastic - (HILTI CFS-S ACR...) fill the gap from both sides of the fire separation construction and around the perimeter of penetration and damper casing

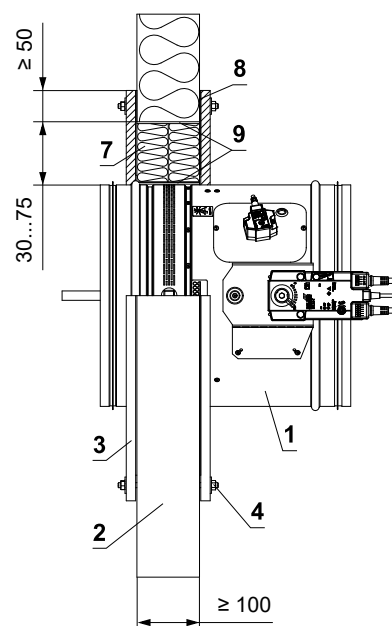
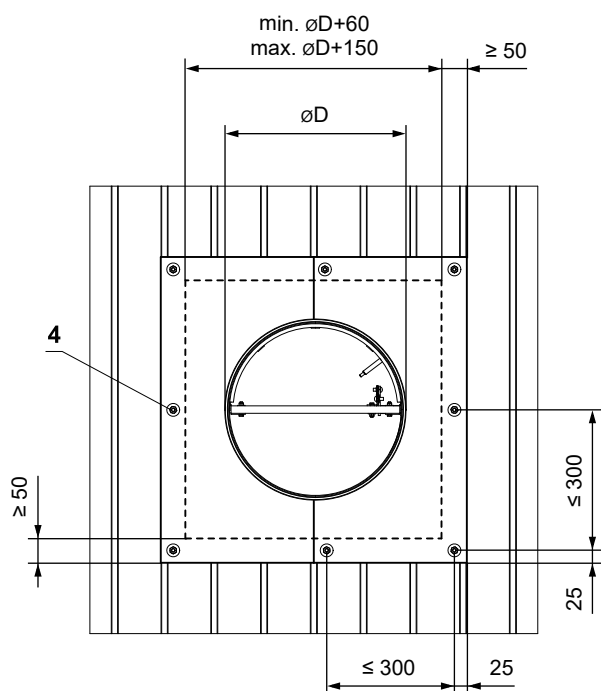
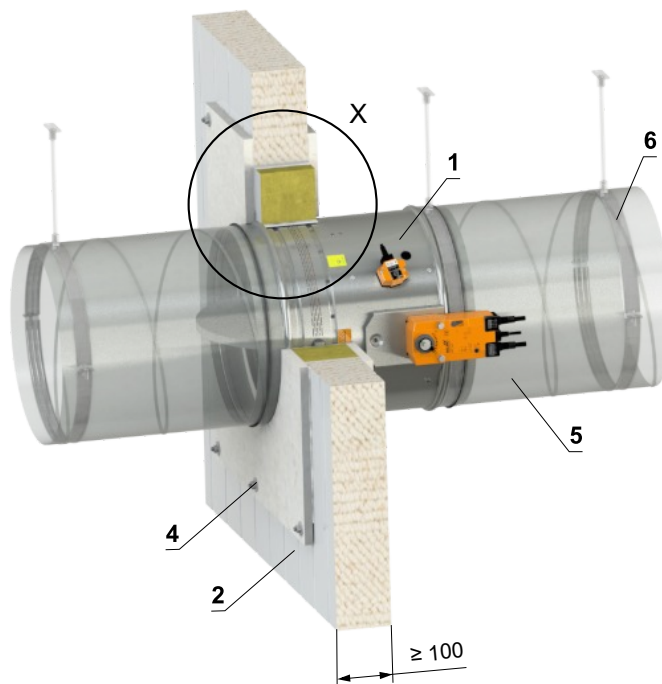
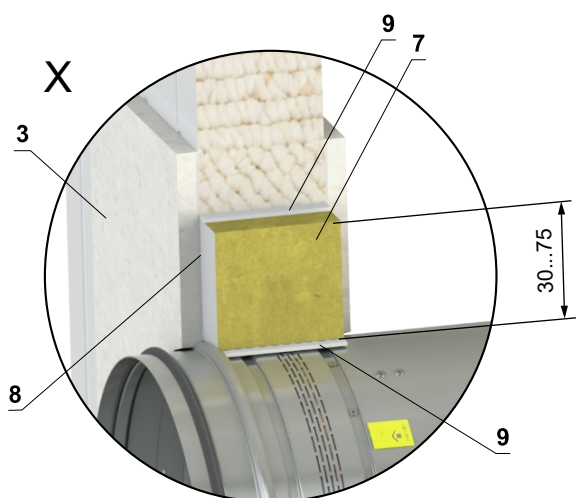


## Installation in sandwich wall construction

In sandwich wall construction - Ablative Coated Batt with fire-resistant boards

EI 60 (v<sub>e</sub>) S [V/H]

■ For connection of following duct → see page 35



\* HILTI system can be replaced by a similar system with the same or higher thickness, density, fire reaction class, tested according to EN 1366-3.

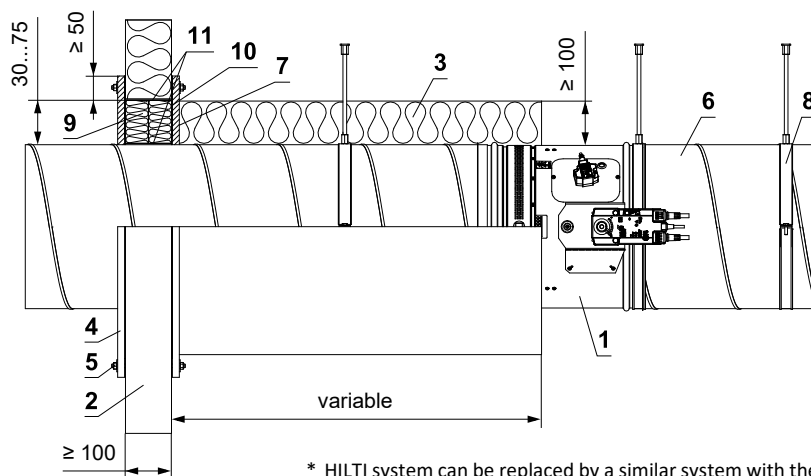
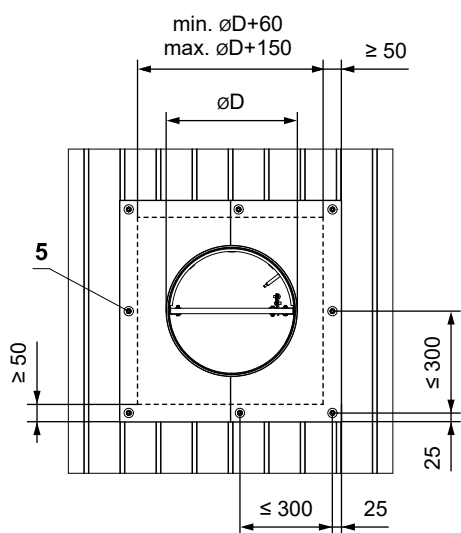
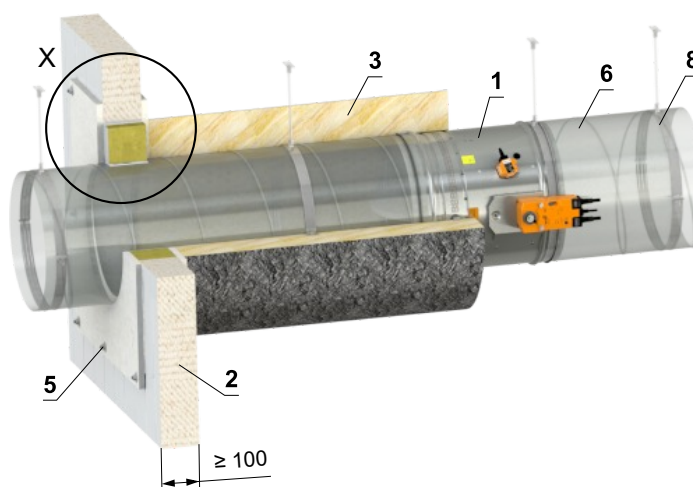
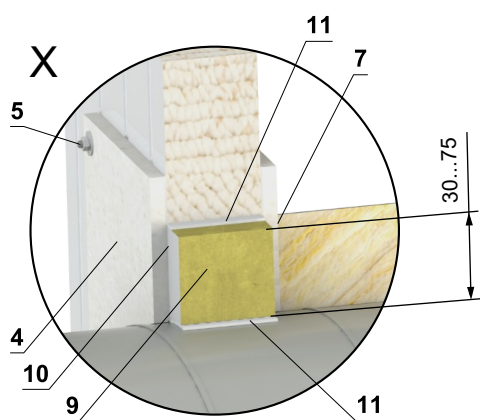
- 1 FDMR 60
- 2 Sandwich wall construction - min. th. 100 mm (Paroc AST S)
- 3 Fire-resistant board - min. th. 15 mm, min. density 870 kg/m<sup>3</sup> (e.g. PROMATECT-H)
- 4 Fixing connection of boards - threaded rod M8 (length of the threaded rod for 100 mm sandwich construction is approx. 150 mm, 2 pcs large washer M8, 2 pcs nut M8). The boards must be tightly fixed to the sandwich wall construction!
- 5 Duct
- 6 Clamp with threaded rod → see pages 32 to 34  
Ablative Coated Batt System HILTI\*
- 7 Mineral wool board - min. density 140 kg/m<sup>3</sup> (HILTI CFS-CT B 1S 140/50...)
- 8 Fire stop coating - th. 1 mm (HILTI CFS-CT...) - coating is overcoated on the support construction and on the damper casing/duct
- 9 Fire-resistant mastic - (HILTI CFS-S ACR...) fill the gap from both sides of the fire separation construction and around the perimeter of penetration and damper casing

## Installation outside sandwich wall construction

### Outside sandwich wall construction - ISOVER Ultimate Protect - Ablative Coated Batt with fire-resistant boards

EI 60 (v<sub>e</sub>) S [V/H]

- For connection of following duct → see page 35
- Minimum and maximum distance between the wall and fire damper is unlimited
- When installing the insulation, follow the ISOVER manufacturer's instructions
- The damper and the duct must be suspended separately
- The duct must be suspended on both sides of damper acc. to national rules
- Duct between fire damper and fire separating construction must be suspended by using threaded rods and mounting profiles, or another mounting system acc. to national standards
- Load of the suspension system depends on weight of the fire damper and duct system → see page 32
- Max. distance between two suspension systems is 1500 mm
- Duct at the point of penetration must be fixed to the fire separation structure
- Following air-conditioning duct must be suspended or supported so that all load transfer from the following duct to the fire damper is absolutely excluded. Adjacent duct must be suspended or supported, as required by the duct suppliers
- If the threaded rod is located inside the duct insulation, distance between threaded rod and duct is max 30 mm
- If the threaded rod is located outside the duct isolation, distance between threaded rod and isolation is max. 40 mm



\* HILTI system can be replaced by a similar system with the same or higher thickness, density, fire reaction class, tested according to EN 1366-3.

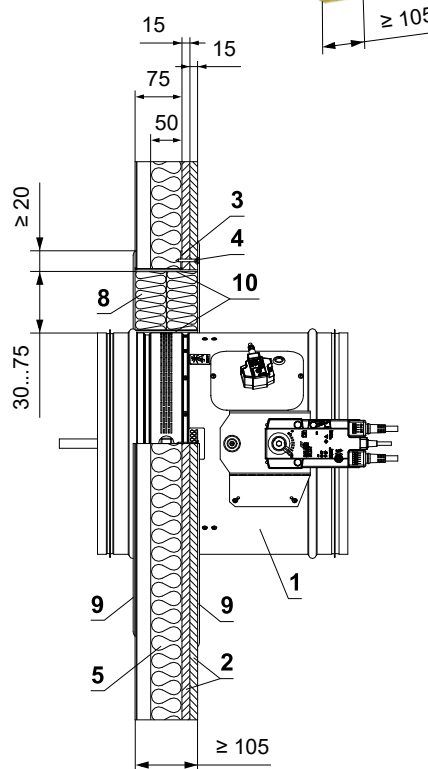
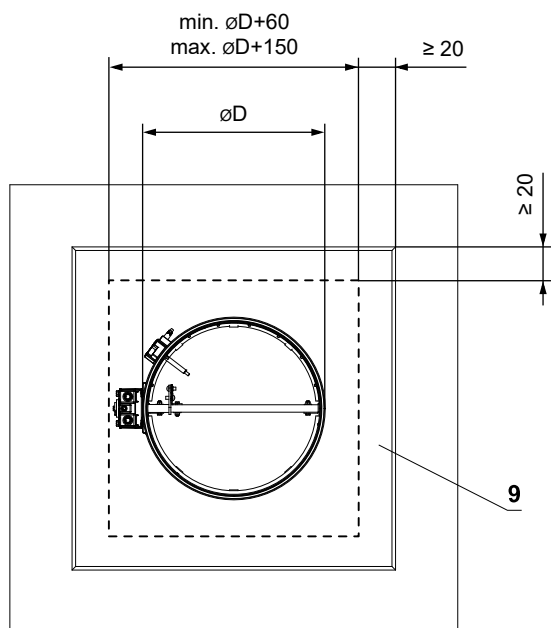
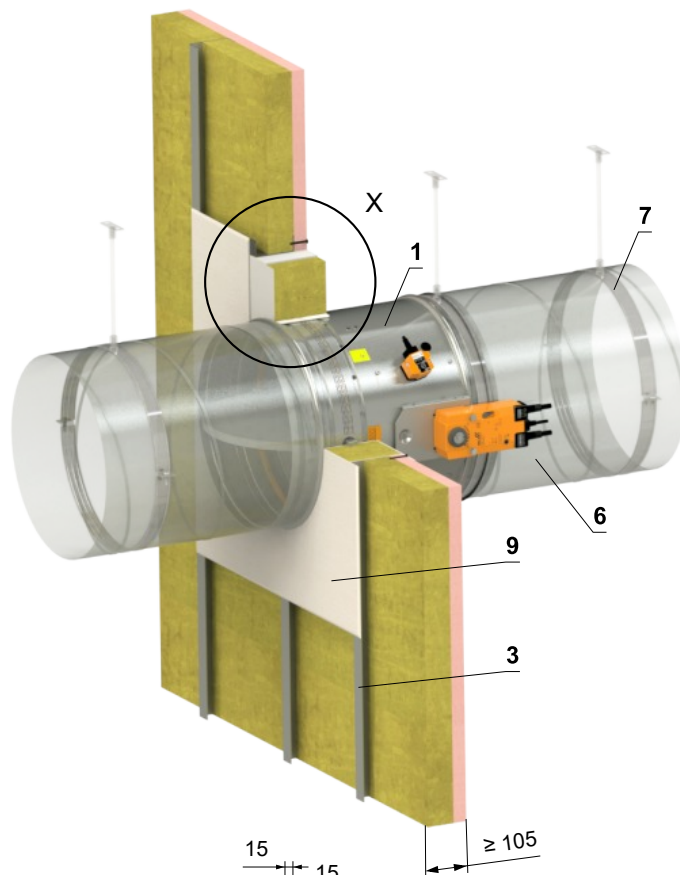
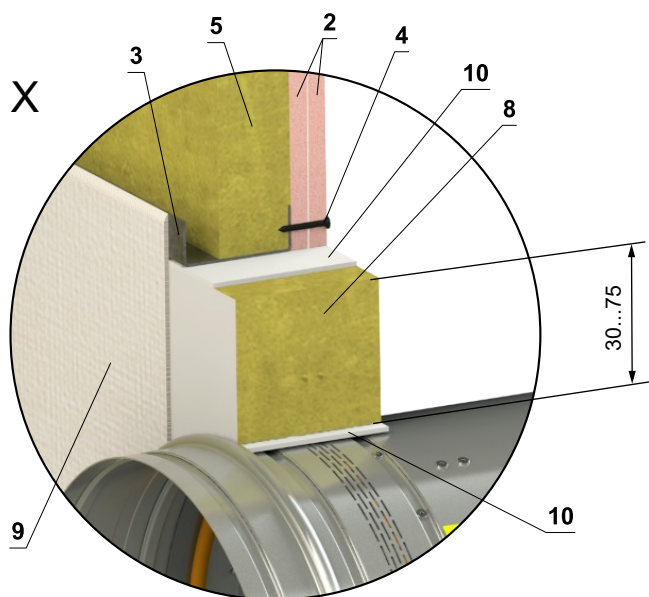
- 1 FDMR 60
  - 2 Sandwich wall construction - min. th. 100 mm (Paroc AST S)
  - 3 Insulation board made of mineral wool, with a surface treatment of aluminum foil, min. density 66 kg/m<sup>3</sup> (System ISOVER Ultimate Protect Wired Mat 4.0 Alu1)
  - 4 Fire-resistant board - min. th. 15 mm, min. density 870 kg/m<sup>3</sup> (e.g. PROMATECT-H)
  - 5 Fixing connection of boards - threaded rod M8 (length of the threaded rod for 100 mm sandwich construction is approx. 150 mm, 2 pcs large washer M8, 2 pcs nut M8). The boards must be tightly fixed to the sandwich wall construction!
  - 6 Standard air duct, made of galvanized sheet metal min. thickness 0,8 mm
  - 7 ISOVER Protect BSK glue - apply on the insulation and fix it to the fire separation construction
  - 8 Clamp with threaded rod → see pages 32 to 34
- Ablative Coated Batt System HILTI\*
- 9 Mineral wool board - min. density 140 kg/m<sup>3</sup> (HILTI CFS-CT B 1S 140/50...)
  - 10 Fire stop coating - th. 1 mm (HILTI CFS-CT...) - coating is overcoated on the support construction and on the damper casing/duct
  - 11 Fire-resistant mastic - (HILTI CFS-S ACR...) fill the gap from both sides of the fire separation construction and around the perimeter of penetration and damper casing

**Installation in shaft wall construction**

**In gypsum one-sided mounted shaft wall construction - Ablative Coated Batt**

**EI 60 (v<sub>e</sub>) S [V/H]**

■ For connection of following duct → see page 35



- 1 FDMR 60
- 2 Fire-resistant board th. 15 mm (Rigips RF)
- 3 Steel U-profile Rigips R-CW 75
- 4 Screw Rigips TN 3,5x25 mm
- 5 Thermal insulation - min. th. 50 mm, min. density 40 kg/m<sup>3</sup>
- 6 Duct
- 7 Clamp with threaded rod → see pages 32 to 34
- Ablative Coated Batt System HILTI\*
- 8 Mineral wool board - min. density 140 kg/m<sup>3</sup> (HILTI CFS-CT B 1S 140/50...)
- 9 Fire stop coating - th. 1 mm (HILTI CFS-CT...) - coating is overcoated on the support construction and on the damper casing/duct
- 10 Fire-resistant mastic - (HILTI CFS-S ACR...) fill the gap from both sides of the fire separation construction and around the perimeter of penetration and damper casing

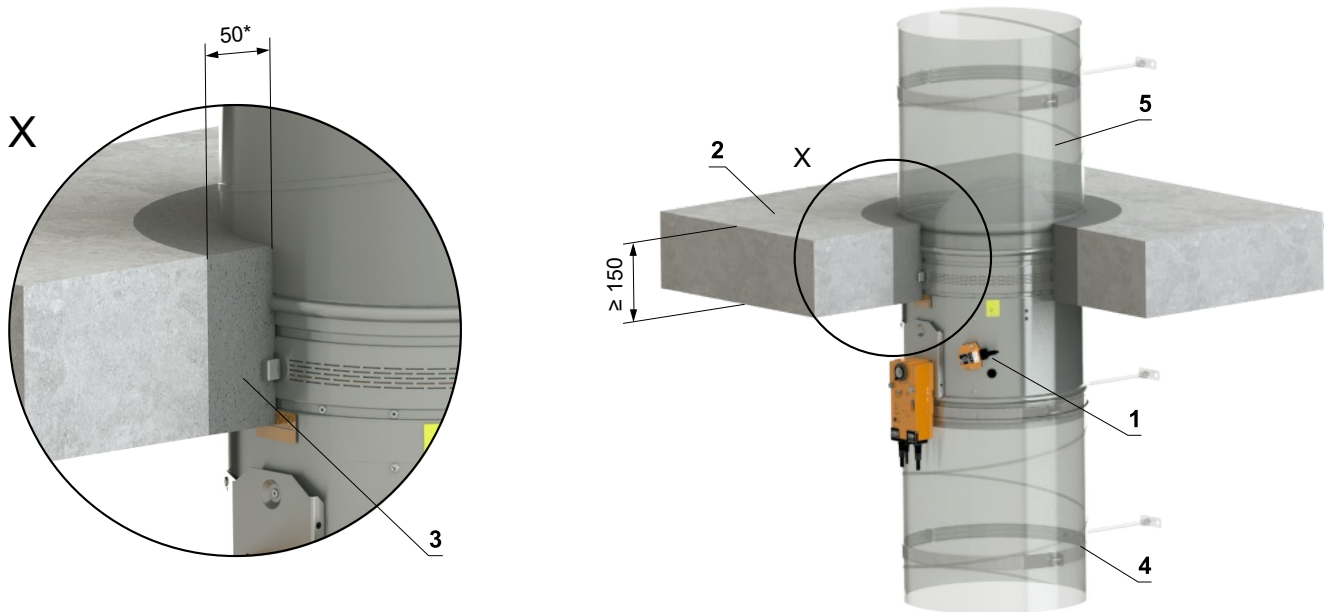
\* HILTI system can be replaced by a similar system with the same or higher thickness, density, fire reaction class, tested according to EN 1366-3.

Installation in solid ceiling construction

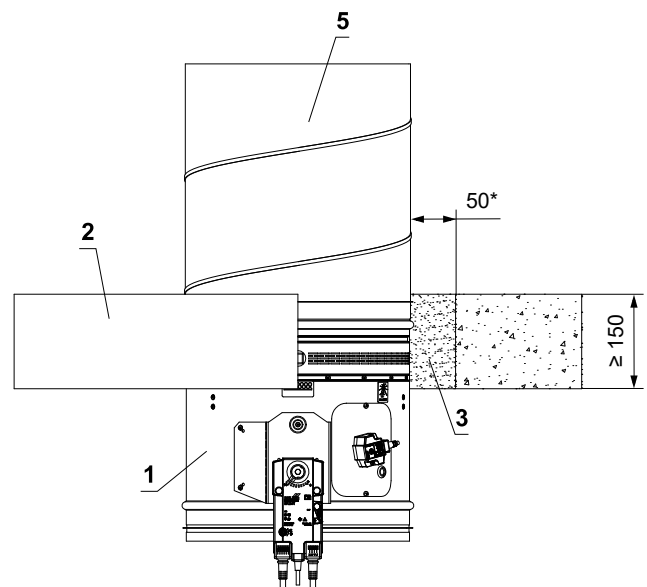
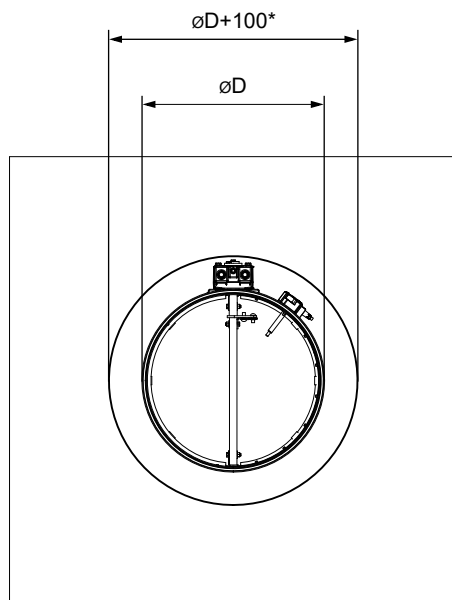
In solid ceiling construction - mortar or gypsum

EI 60 (h<sub>o</sub>) S [H]

- For connection of following duct → see page 35



\* For fire resistance EI 45 S is approved opening between the construction and the damper in the range of 50...150 mm.

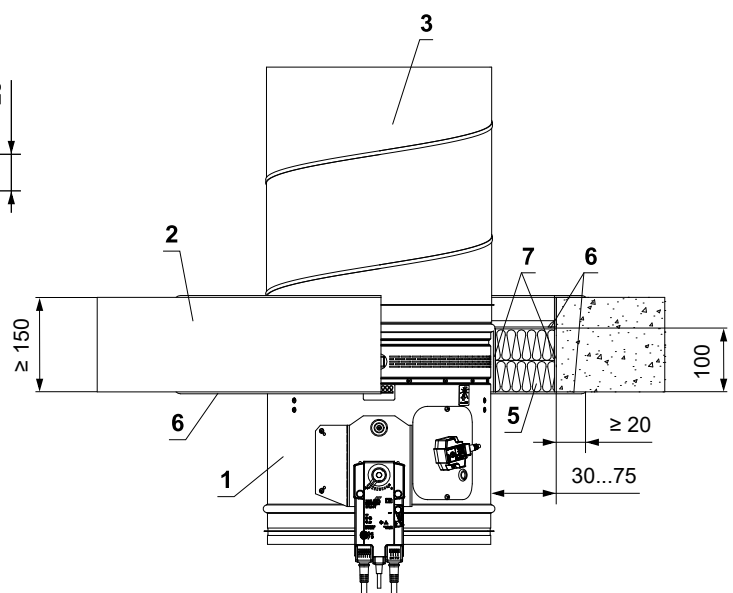
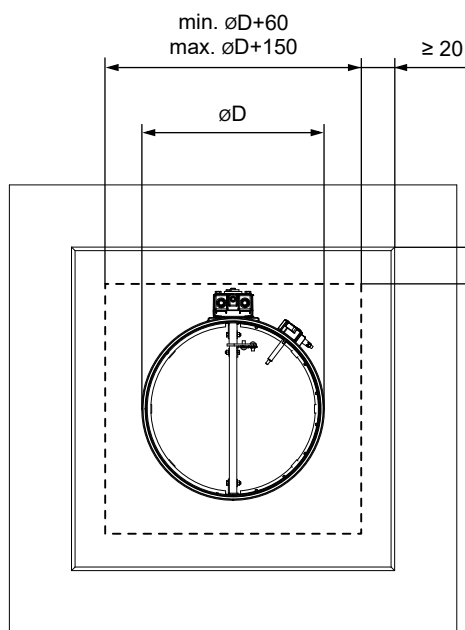
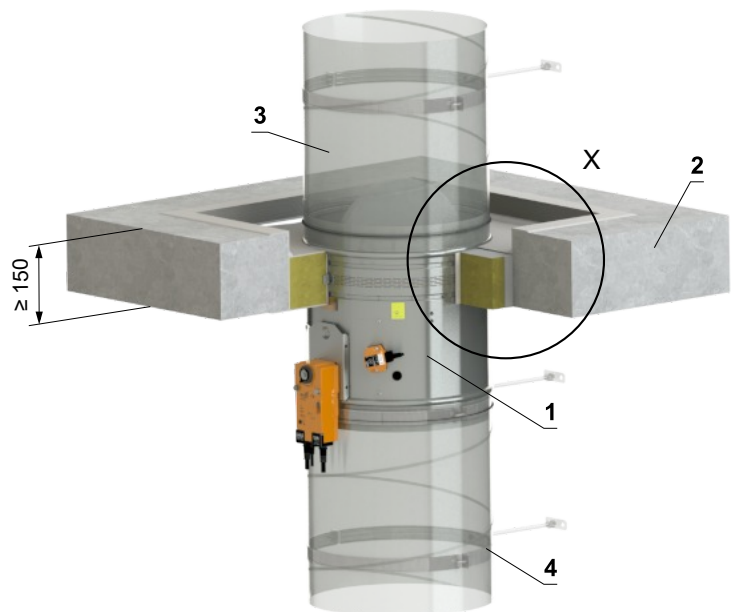
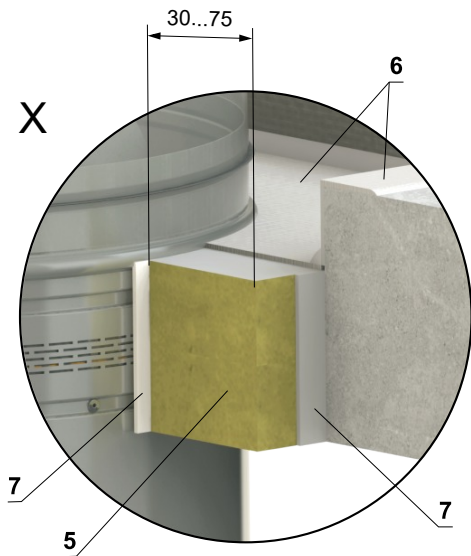


- 1 FDMR 60
- 2 Solid ceiling construction
- 3 Mortar or gypsum
- 4 Clamp with threaded rod → see pages 32 to 34
- 5 Duct

In solid ceiling construction - Ablative Coated Batt

EI 60 (h<sub>o</sub>) S [H]

■ For connection of following duct → see page 35



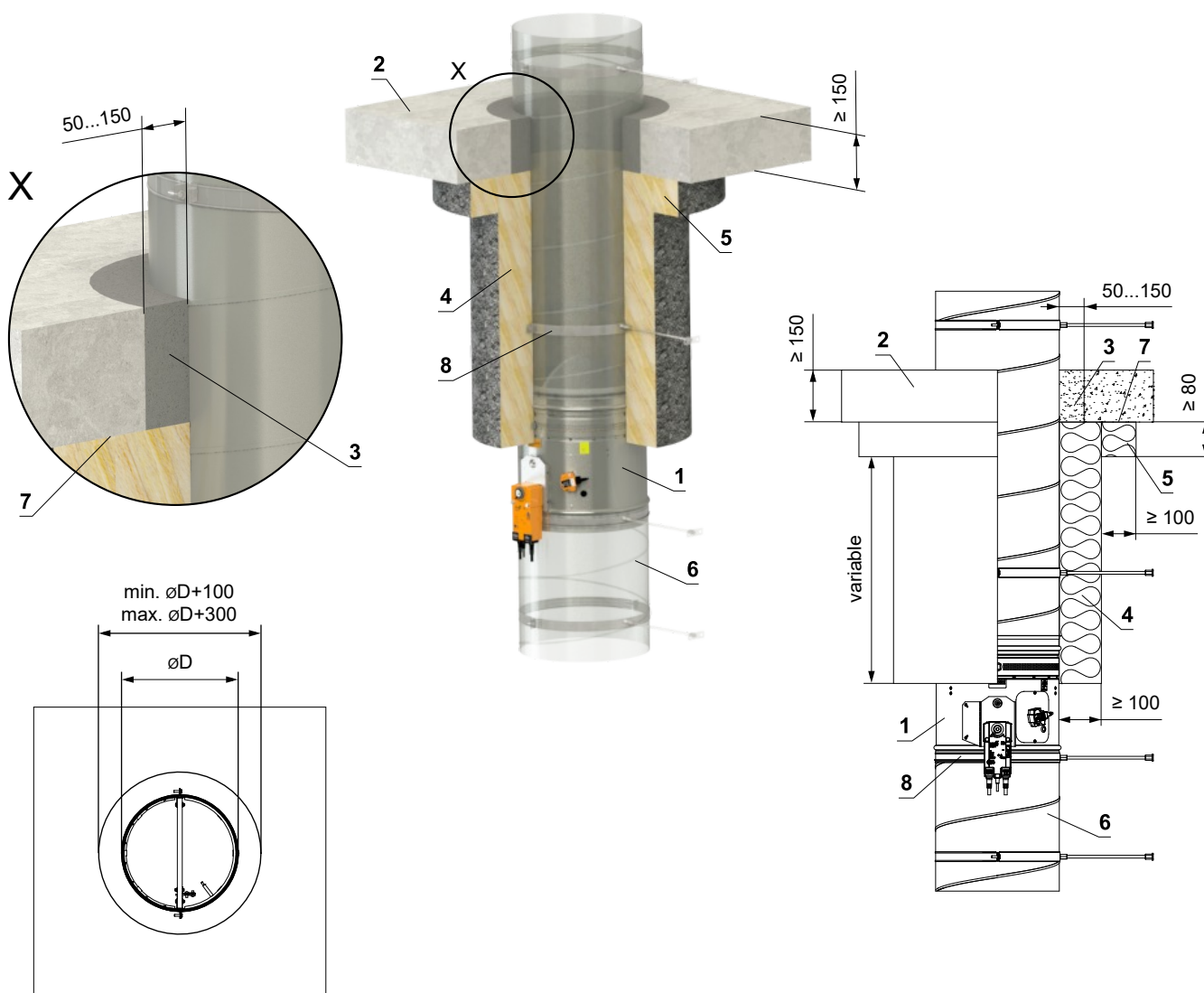
- 1 FDMR 60
- 2 Solid ceiling construction
- 3 Duct
- 4 Clamp with threaded rod → see pages 32 to 34
- Ablative Coated Batt System HILTI\*
- 5 Mineral wool board - min. density 140 kg/m<sup>3</sup> (HILTI CFS-CT B 1S 140/50...)
- 6 Fire stop coating - th. 1 mm (HILTI CFS-CT...) - coating is overcoated on the support construction and on the damper casing/duct
- 7 Fire-resistant mastic - (HILTI CFS-S ACR...) fill the gap from both sides of the fire separation construction and around the perimeter of penetration and damper casing

\* HILTI system can be replaced by a similar system with the same or higher thickness, density, fire reaction class, tested according to EN 1366-3.

## Installation outside solid ceiling construction

### Outside solid ceiling construction - ISOVER Ultimate Protect - mortar or gypsum (damper under ceiling) EI 60 (h<sub>o</sub>) S [H]

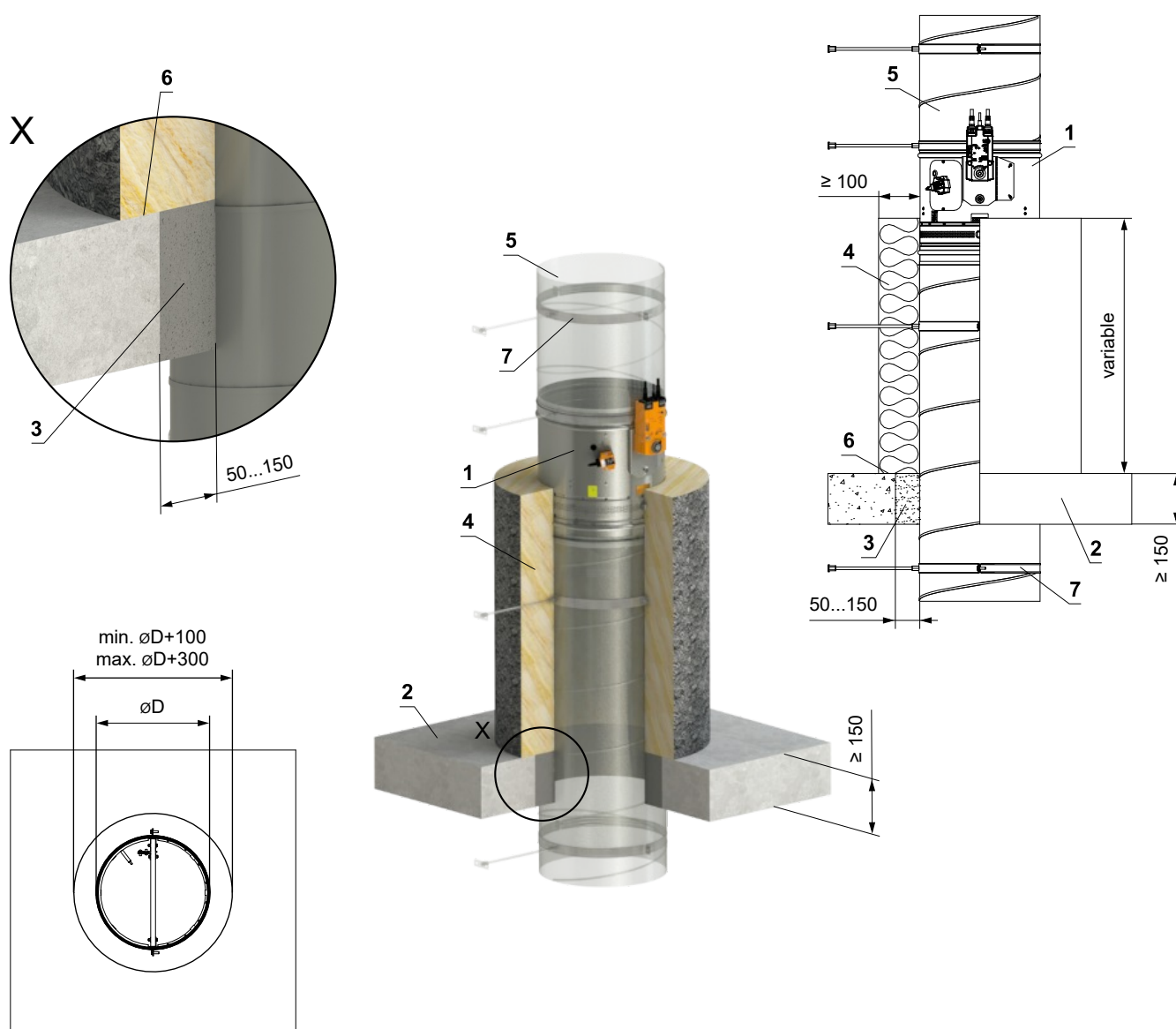
- For connection of following duct → see page 35
- Minimum and maximum distance between the wall and fire damper is unlimited
- When installing the insulation, follow the ISOVER manufacturer's instructions
- The damper and the duct must be suspended separately
- The duct must be suspended on both sides of damper acc. to national rules
- Duct between fire damper and fire separating construction must be suspended by using threaded rods and mounting profiles, or another mounting system acc. to national standards
- Load of the suspension system depends on weight of the fire damper and duct system → see page 32
- Max. distance between two suspension systems is 1500 mm
- Duct at the point of penetration must be fixed to the fire separation structure
- Following air-conditioning duct must be suspended or supported so that all load transfer from the following duct to the fire damper is absolutely excluded. Adjacent duct must be suspended or supported, as required by the duct suppliers
- If the threaded rod is located inside the duct insulation, distance between threaded rod and duct is max 30 mm
- If the threaded rod is located outside the duct isolation, distance between threaded rod and isolation is max. 40 mm



- 1 FDMR 60
- 2 Solid ceiling construction
- 3 Mortar or gypsum
- 4 Insulation board made of mineral wool, with a surface treatment of aluminum foil, min. density 66 kg/m<sup>3</sup> (System ISOVER Ultimate Protect Wired Mat 4.0 Alu1)
- 5 Insulation collar - min. th. 80 mm (System ISOVER Ultimate Protect Slab 4.0 Alu1) - glued (pos. 7) and fixed with screws to the ceiling construction
- 6 Standard air duct, made of galvanized sheet metal min. thickness 0,8 mm
- 7 ISOVER Protect BSK glue - apply on the insulation and fix it to the fire separation construction
- 8 Clamp with threaded rod → see pages 32 to 34

**Outside solid ceiling construction - ISOVER Ultimate Protect - mortar or gypsum (damper above ceiling) EI 60 (h<sub>o</sub>) S [H]**

- For connection of following duct → see page 35
- Minimum and maximum distance between the wall and fire damper is unlimited
- When installing the insulation, follow the ISOVER manufacturer's instructions
- The damper and the duct must be suspended separately
- The duct must be suspended on both sides of damper acc. to national rules
- Duct between fire damper and fire separating construction must be suspended by using threaded rods and mounting profiles, or another mounting system acc. to national standards
- Load of the suspension system depends on weight of the fire damper and duct system → see page 32
- Max. distance between two suspension systems is 1500 mm
- Duct at the point of penetration must be fixed to the fire separation structure
- Following air-conditioning duct must be suspended or supported so that all load transfer from the following duct to the fire damper is absolutely excluded. Adjacent duct must be suspended or supported, as required by the duct suppliers
- If the threaded rod is located inside the duct insulation, distance between threaded rod and duct is max 30 mm
- If the threaded rod is located outside the duct isolation, distance between threaded rod and isolation is max. 40 mm



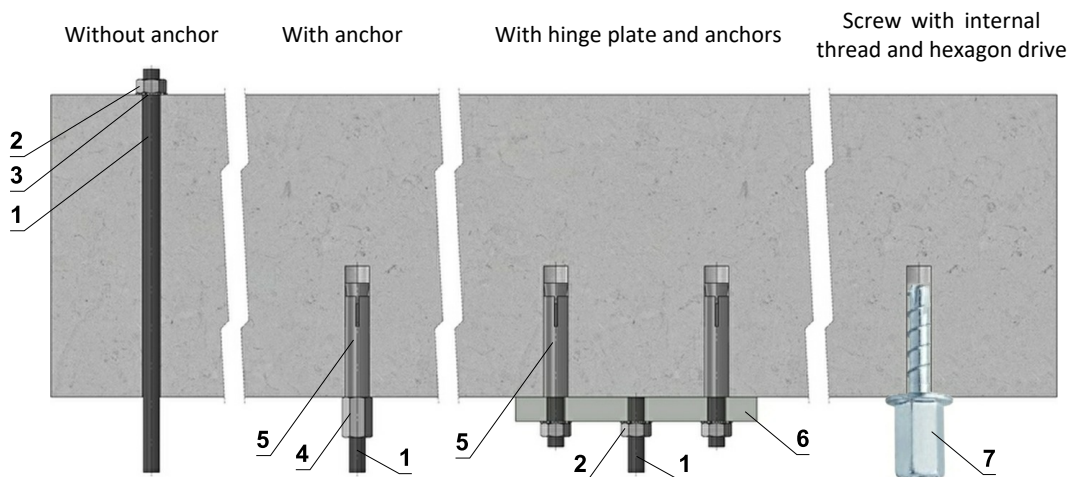
- 1 FDMR 60
- 2 Solid ceiling construction
- 3 Mortar or gypsum
- 4 Insulation board made of mineral wool, with a surface treatment of aluminum foil, min. density 66 kg/m<sup>3</sup> (System ISOVER Ultimate Protect Wired Mat 4.0 Alu1)
- 5 Standard air duct, made of galvanized sheet metal min. thickness 0,8 mm
- 6 ISOVER Protect BSK glue - apply on the insulation and fix it to the fire separation construction
- 7 Clamp with threaded rod → see pages 32 to 34

# V. SUSPENSION SYSTEMS

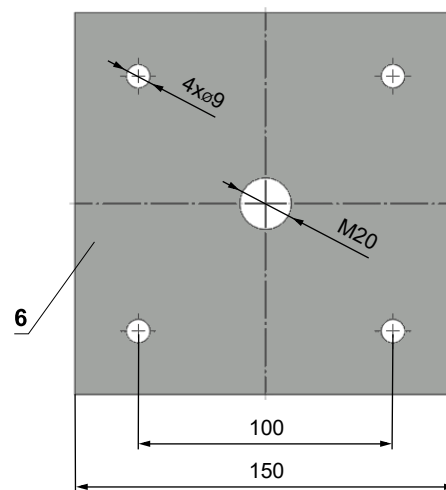
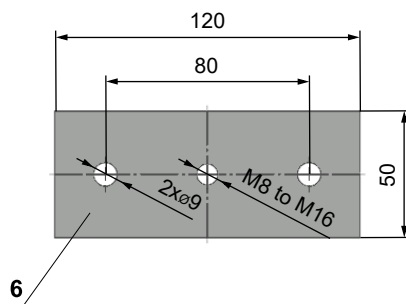
## Mounting to the ceiling wall

- The dampers must be suspended using threaded rods and mounting profiles. Their dimensioning depend on the weight of the damper.
- The dampers and the duct must be suspended separately.
- Following air-conditioning duct must be suspended or supported so that all load transfer from the following duct to the damper flanges is absolutely excluded. Adjacent duct must be suspended or supported, as required by the duct suppliers.
- Threaded rods longer than 1,5 m must be protected by fire insulation.

### Examples of anchoring to the ceiling construction Follow the instructions of fixing specialist or installation company



Hinge plates



- If in doubt, always consult an anchor specialist engineer such as Halfen or Hilti.

#### Load capacities of threaded rods at the required fire resistance 60 min. <math>t \le 120 \text{ min.}</math>

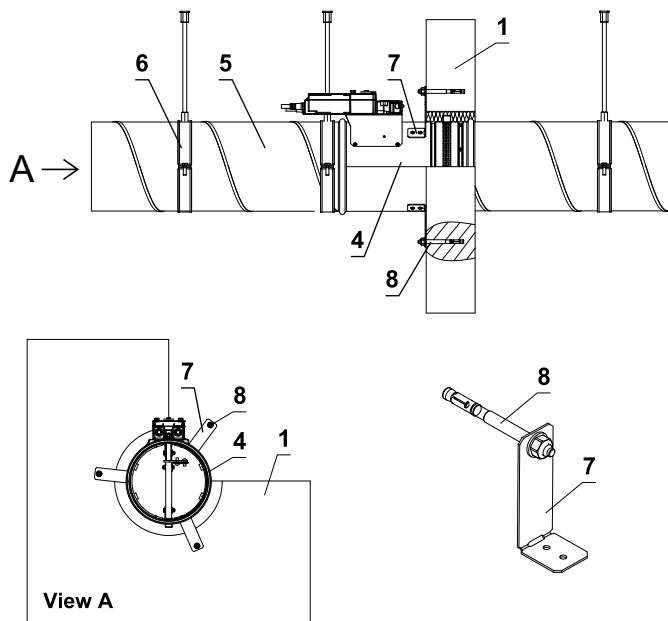
Size	As [mm <sup>2</sup> ]	Weight [kg]	
		for 1 rod	for 2 rods
M8	36,6	22	44
M10	58	35	70
M12	84,3	52	104
M16	157	96	192
M18	192	117	234
M20	245	150	300

- 1 Threaded rod M8 - M20
- 2 Nut M8 - M20
- 3 Washer for M8 - M20
- 4 Coupling Nut M8 - M20
- 5 Anchor
- 6 Hinge plate - min. thickness 10 mm
- 7 Concrete screw tested for fire resistance R30-R90, max. Tension up to 0.75 KN (length 35 mm)

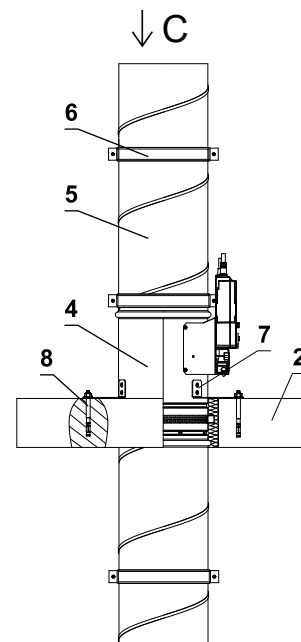


Example of fixing FDMR 60 to the wall or ceiling

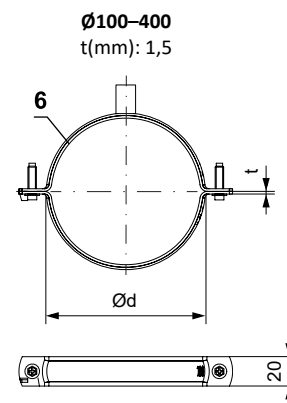
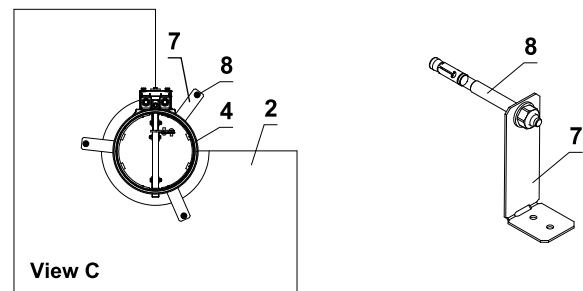
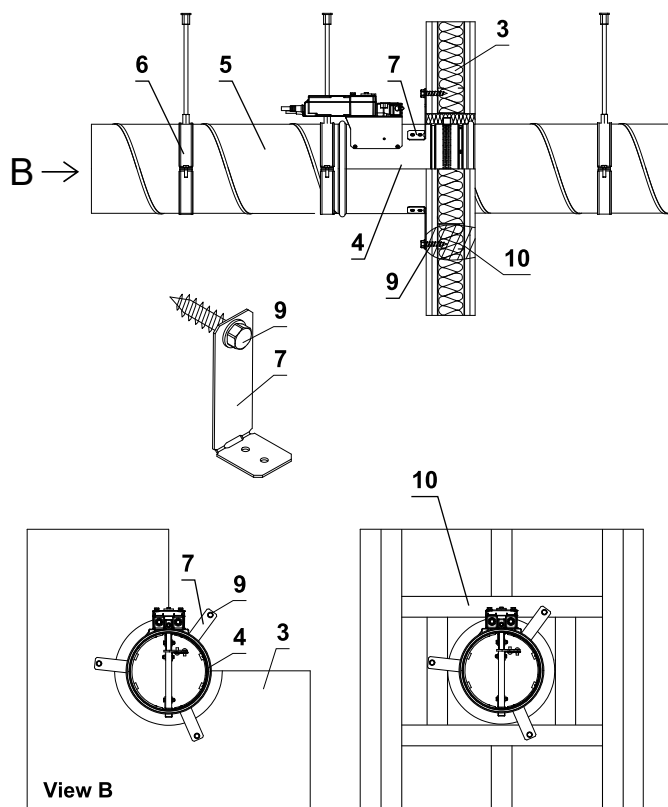
In solid wall construction



In solid ceiling construction



In gypsum wall construction



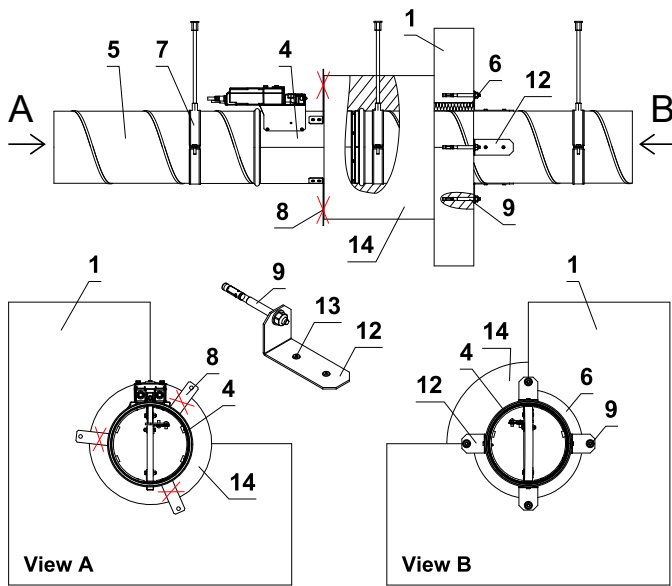
**Quick closing system**  
2x screw M6x20.  
Fixing nut for threaded rod M8.

- |                              |                                       |
|------------------------------|---------------------------------------|
| 1 Solid wall construction    | 6 Clamp with threaded rod             |
| 2 Solid ceiling construction | 7 Damper bracket (according to order) |
| 3 Gypsum wall construction   | 8 Nut M8 with anchor                  |
| 4 FDMR 60                    | 9 Hexagon head screw                  |
| 5 Duct                       | 10 Gypsum grid from "U" profile       |

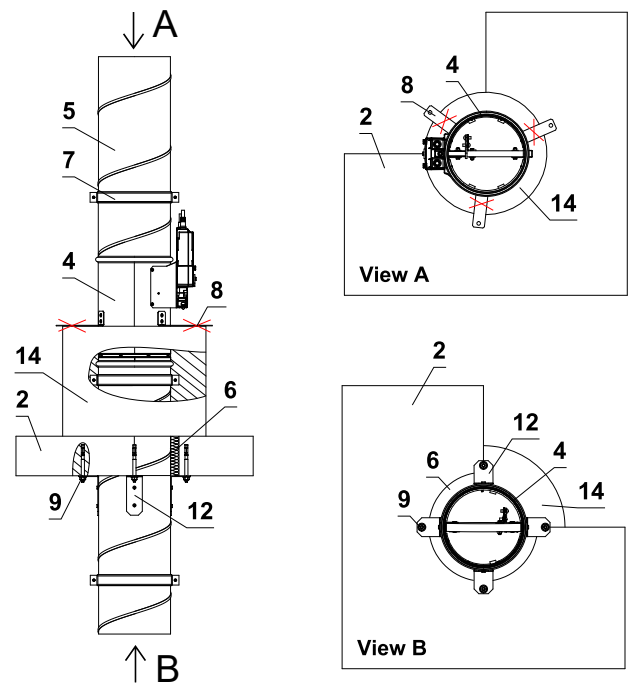
- The method of attachment must follow the minimum requirements for attachment and connection of ductwork in accordance with national regulations. Also, the elements can be suspended from the top, or supported from bottom, or fastened from the side.

Example of fixing FDMR 60 outside the wall or ceiling

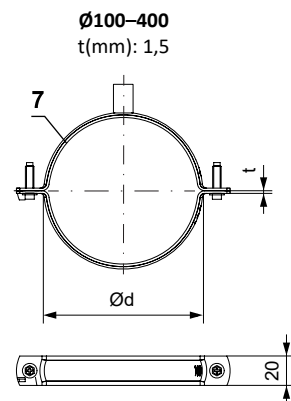
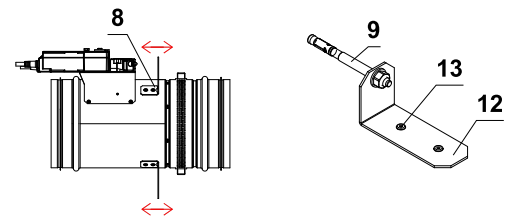
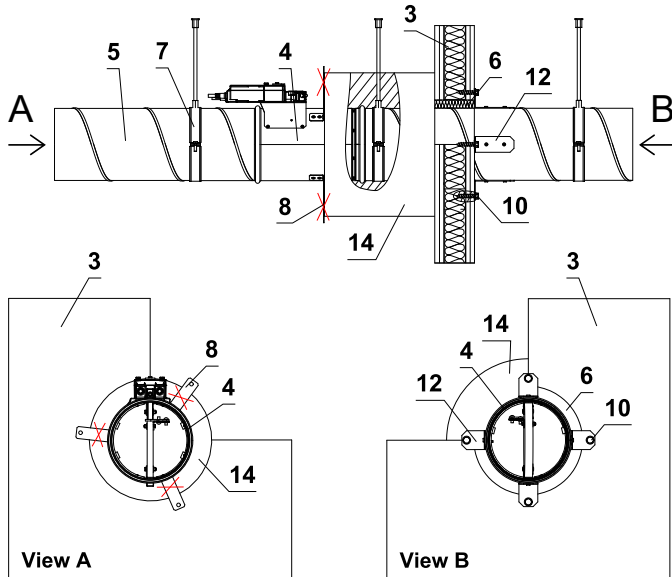
Outside solid wall construction



Outside solid ceiling construction



Outside gypsum wall construction



Ø100-400  
Quick closing system  
2x screw M6x20.  
Fixing nut for threaded rod M8.

- 1 Solid wall construction
- 2 Solid ceiling construction
- 3 Gypsum wall construction
- 4 FDMR 60
- 5 Duct

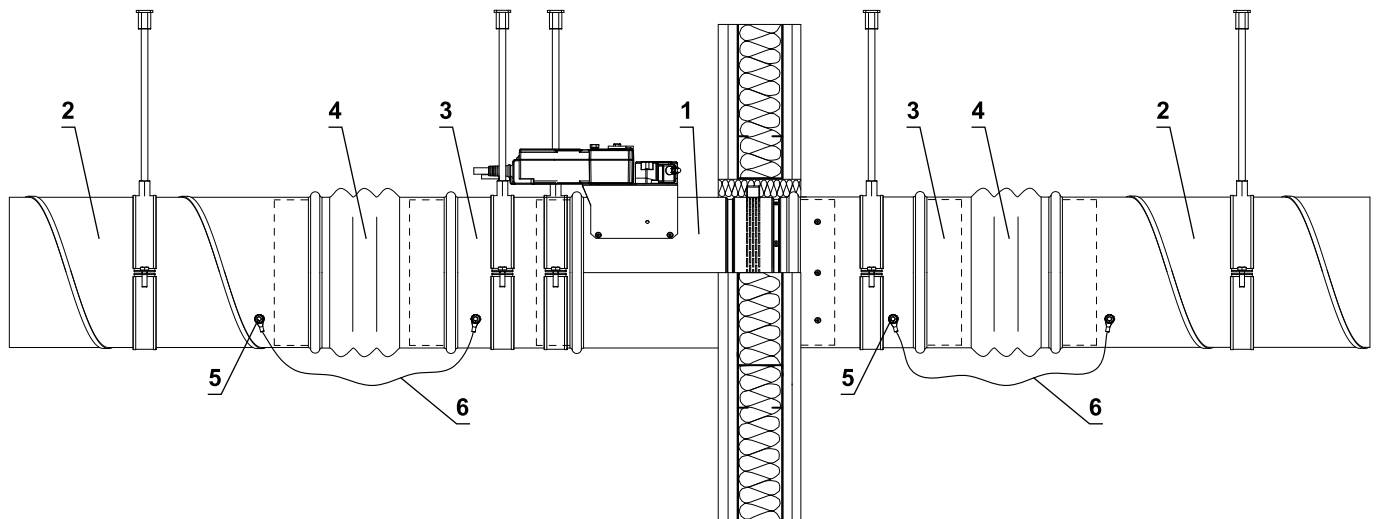
- 6 Filling of space between the damper and wall/ceiling
- 7 Circular suspension with threaded rod
- 8 Mounting brackets (according to order) - determine min. length of the insulation (built in edge). Bend the mounting brackets 90 degrees from a damper casing. If the insulation is longer than the mounting bracket position, break off the brackets.

- 9 Nut M8 with anchor
- 10 Hexagon head screw
- 11 Gypsum grid from "U" profile
- 12 Fixing element/steel bracket for fixing the duct to the wall or ceiling (optional accessory MANDÍK, a.s.)
- 13 Mounting holes for rivets
- 14 Duct insulation

View B - Grid from "U" profile

- The method of attachment must follow the minimum requirements for attachment and connection of ductwork in accordance with national regulations. Also, the elements can be suspended from the top, or supported from bottom, or fastened from the side.

## Example of duct connection



- 1 FDMR 60
- 2 Duct
- 3 Extension piece (if required)
- 4 Damping pad
- 5 Bolt assembly M8 (bolt M8x20 mm, 2 pcs large washer M8, nut M8)
- 6 Protective bonding conductor

## VI. TECHNICAL DATA

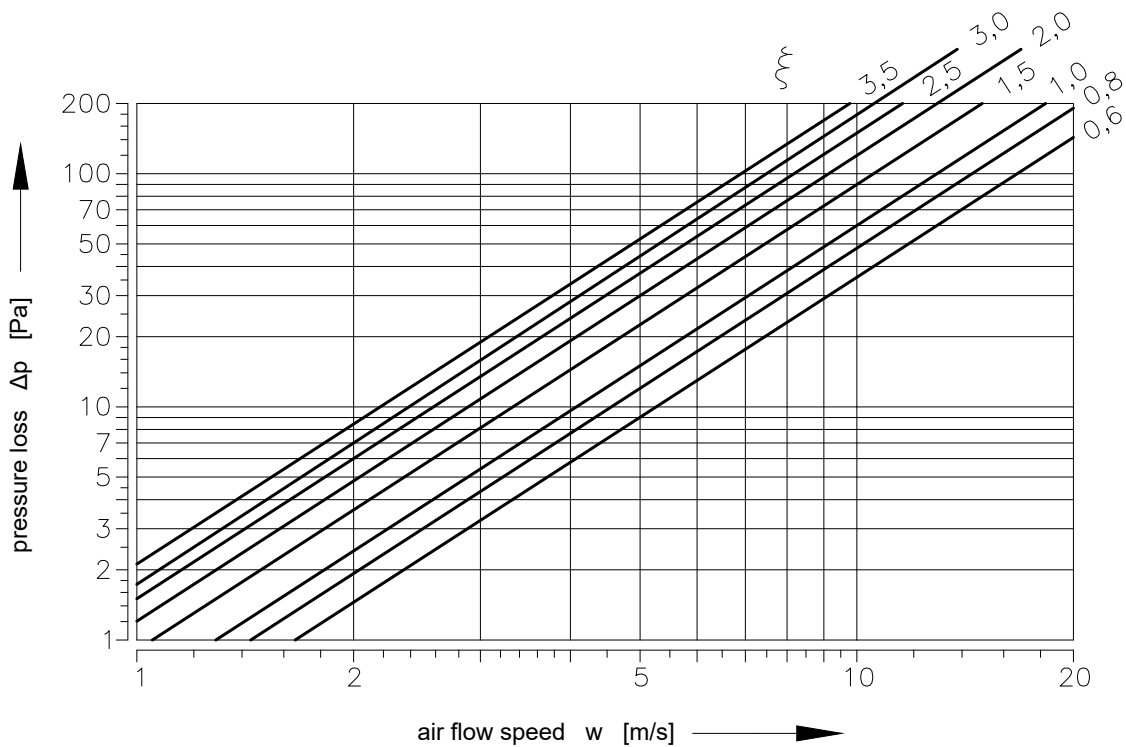
### Pressure loss

#### Pressure loss calculation

$$\Delta p = \xi \cdot \rho \cdot \frac{w^2}{2}$$

$\Delta p$	[Pa]	pressure loss
$w$	[m/s]	air flow speed in nominal damper section
$\rho$	[kg/m <sup>3</sup> ]	air density
$\xi$	[-]	coefficient of local pressure loss for the nominal damper section

#### Determination of pressure loss by using diagram $\rho = 1,2 \text{ kg/m}^3$



#### Coefficient of local pressure loss

D	100	125	140	150	160	180	200	225	250	280	300	315	350	355	400
$\xi$	2,736	2,099	1,781	1,527	1,272	0,929	0,636	0,892	0,747	0,627	0,576	0,531	0,471	0,455	0,393

## Noise data

### Level of acoustic output corrected with filter A

$$L_{WA} = L_{W1} + 10 \log(S) + K_A$$

$L_{WA}$	[dB(A)]	level of acoustic output corrected with filter A
$L_{W1}$	[dB]	level of acoustic output $L_{W1}$ related to the 1 m <sup>2</sup> section
$S$	[m <sup>2</sup> ]	duct cross section
$K_A$	[dB]	correction to the weight filter A

### Level of acoustic output in octave ranges

$$L_{Woct} = L_{W1} + 10 \log(S) + L_{rel}$$

$L_{Woct}$	[dB]	spectrum of acoustic output in octave range
$L_{W1}$	[dB]	level of acoustic output $L_{W1}$ related to the 1 m <sup>2</sup> section
$S$	[m <sup>2</sup> ]	duct cross section
$L_{rel}$	[dB]	relative level expressing the shape of the spectrum

### Tables of acoustics values

Level of acoustic output  $L_{W1}$ [dB] related to the 1 m<sup>2</sup> section

w [m/s]	$\xi$ [-]											
	0,1	0,2	0,3	0,4	0,6	0,8	1	1,5	2	2,5	3	3,5
2	9	11,5	14,7	16,9	20,1	22,3	24,1	27,2	29,4	31,2	32,6	33,8
3	16,7	22,1	25,3	27,5	30,7	32,9	34,6	37,8	40	41,7	43,2	44,4
4	24,2	29,6	32,8	35	38,1	40,4	42,1	45,3	47,5	49,2	50,7	51,9
5	30	35,4	38,6	40,8	44	46,2	47,9	51,1	53,3	55,1	56,5	57,7
6	34,8	40,2	43,3	45,6	48,7	51	52,7	55,8	58,1	59,8	61,2	62,4
7	38,8	44,2	47,3	49,6	52,7	55	56,7	59,9	62,1	63,8	65,2	66,4
8	42,3	47,7	50,8	53,1	56,2	58,4	60,2	63,3	65,6	67,3	68,7	69,9
9	45,4	50,7	53,9	56,1	59,3	61,5	63,3	66,4	68,6	70,4	71,8	73
10	48,1	53,5	56,6	58,9	62	64,3	66	69,1	71,4	73,1	74,5	75,7
11	50,6	56	59,1	61,4	64,5	66,7	68,5	71,6	73,9	75,6	77	78,2
12	52,8	58,2	61,4	63,6	66,8	69	70,7	73,9	76,1	77,9	79,3	80,5

Correction to the weight filter A

w [m/s]	2	3	4	5	6	7	8	9	10	11	12
$K_A$ [dB]	-15	-11,8	-9,8	-8,4	-7,3	-6,4	-5,7	-5	-4,5	-4	-3,6

Relative level expressing the shape of the spectrum  $L_{rel}$

w [m/s]	f [Hz]							
	63	125	250	500	1000	2000	4000	8000
2	-4,5	-6,9	-10,9	-16,7	-24,1	-33,2	-43,9	-56,4
3	-3,9	-5,3	-8,4	-13,1	-19,5	-27,6	-37,4	-48,9
4	-3,9	-4,5	-6,9	-10,9	-16,7	-24,1	-33,2	-43,9
5	-4	-4,1	-5,9	-9,4	-14,6	-21,5	-30,0	-40,3
6	-4,2	-3,9	-5,3	-8,4	-13,1	-19,5	-27,6	-37,4
7	-4,5	-3,9	-4,9	-7,5	-11,9	-17,9	-25,7	-35,1
8	-4,9	-3,9	-4,5	-6,9	-10,9	-16,7	-24,1	-33,2
9	-5,2	-3,9	-4,3	-6,4	-10,1	-15,6	-22,7	-31,5
10	-5,5	-4	-4,1	-5,9	-9,4	-14,6	-21,5	-30
11	-5,9	-4,1	-4	-5,6	-8,9	-13,8	-20,4	-28,8
12	-6,2	-4,3	-3,9	-5,3	-8,4	-13,1	-19,5	-27,6

## VII. MATERIAL, FINISHING

- Damper casings are made from galvanized sheet metal without further surface treatment.
- Damper blades are made from fire resistant asbestos free boards made of mineral fibres.
- Manual control have cover made of mechanically resistant and durable plastic and the other parts are galvanized without further surface treatment.
- Thermal fuses are made of sheet brass, thickness 0,5 mm.
- Fasteners and springs are galvanized.
- According to the customer's requirements, dampers can be made of stainless steel material.

### Specifications for stainless-steel design:

- Class A2 – Food-grade stainless steel (AISI 304 – EN 1.4301)
- Class A4 – Chemistry-grade stainless steel (AISI 316, 316L – EN 1.4401, EN 1.4404)

The respective stainless steel is the material for all components that are located or entering the damper inner space; components outside the damper casing are typically from galvanised sheet metal (fasteners for mounting the actuator or manual control, mechanical components except Item 4), frame components.

### The following components, including the fasteners, are made from stainless steel at all times:

- 1) Damper casing and all components permanently attached
- 2) Blade holders including pins, metal parts of blades
- 3) Control components inside the damper (L-profile, pin with lever, rod, fasteners)
- 4) Parts of a manual control entering the inner space of a damper casing (lower sheet of a manual control, lock holder "1", lock lever "2", closing spring, 8 dia. stopper pin, manual control pin)
- 5) Inspection opening cover including the stirrup and fasteners (if they are parts of the cover)
- 6) Bearing for torque transfer from the lever with pin on the blade L-profile (made from AISI 440C)

The damper blade is made from a board of homogeneous material Promatect-H, thickness 15 mm.

Thermal fuse is identical for all material variants of the dampers. Upon specification by customer, the thermal fuse can be made from A4 from stainless steel sheet metal.

Thermoelectric activation device BAT is modified for stainless-steel variant of the dampers; standard galvanised screws are replaced with stainless-steel M4 screws of corresponding class. Damper casing has stainless-steel riveting M4 nuts.

Plastic, rubber and silicon components, sealants, foaming tapes, glass-ceramic seals, housings, brass bearings of the blade, actuators, and end switches are identical for all material variants of the dampers.

Some fasteners and components are only available in one class of stainless steel; the type will be used in all stainless-steel variants.

The damper blade in the variant for chemical environments (Class A4) is always treated with a coating of chemically resistant Promat SR.

Any other requirements for the design will be considered atypical and will be addressed on an individual basis.

## VIII. TRANSPORTATION, STORAGE AND WARRANTY

### Logistic terms

- Dampers are delivered on pallets. As standard, the dampers are wrapped in plastic foil for protection during transport and must not be used for long-term storage. Temperature changes during transport can cause condensation of water inside the packaging and thereby cause corrosion of materials used in the dampers (e.g. white corrosion on zinc-coated items or mould on calcium silicate). Therefore, it is necessary to remove the transport packaging immediately after unloading to allow air to circulate around the product.
- The dampers must be stored in clean, dry, well ventilated and dust-free environment out of direct sunlight. Ensure protection against moisture and extreme temperatures (minimum temperature +5°C). The dampers must be protected against mechanical and accidental damage prior to installation.
- Another required packaging system should be approved and agreed by manufacturer. Packaging material is not returnable in case that another packaging system (material) is required and used and it is not included into final price of damper.
- Dampers are transported by box freight vehicles without direct weather impact, there must not occur any shocks and ambient temperature must not exceed +50°C. Dampers must be protected against impact when transported and manipulated. During transportation, the damper blade must be in the "CLOSED" position.
- Dampers must be stored indoor in environment without any aggressive vapours, gases or dust. Indoor temperature must be in the range from -30°C to +50°C and maximum relative humidity 95%.

### Warranty

- The manufacturer provides a warranty of 24 months from the date of dispatch for the dampers.
- The warranty for fire dampers FDMR 60, provided by the manufacturer, is completely void if actuating, closing and control devices are unprofessionally handled by untrained workers or if electric components, i.e. limit switches, actuators and thermoelectric activation devices are dismantled.
- The warranty is void if dampers are used for other purposes, devices and working conditions than those allowed by these technical conditions or if the dampers are mechanically damaged during handling.
- If the dampers are damaged by transport, a record must be written down with the forwarder at reception for later complaint.

## IX. ASSEMBLY, ATTENDANCE AND MAINTENANCE

- Assembly, maintenance and damper function check can be done only by qualified and trained person, i.e. "AUTHORIZED PERSON" according to the manufacturer documentation. All works done on the fire dampers must be done according international and local norms and laws.
- All effective safety standards and directives must be observed during damper assembly.
- To ensure reliable damper function it is necessary to avoid blocking the actuating mechanism and contact surfaces with collected dust, fibre and sticky materials and solvents.
- Flange and screw joints must be conductively connected to protect against dangerous contact. 2 galvanized lock washers that are placed under the head of one screw and a fastened nut are used for conductive connection.

### Manual operation - actuator control without electric voltage

- A special wrench (part of the actuator) can be used to manually turn the damper blade to any position. When the wrench is turned in the direction of the arrow, the damper blade rotates to its open position. As the blade rotation is stopped, in every position, the actuator will be locked. Unlocking is possible even manually as per instructions on the actuator, or by the activation of the supply voltage.
- If the actuator is manually locked, the damper blade will not close in the event of a fire after the activation of the thermoelectric activation device BAT. To restore correct damper operation, the actuator must be unlocked (manually or by applying power supply).

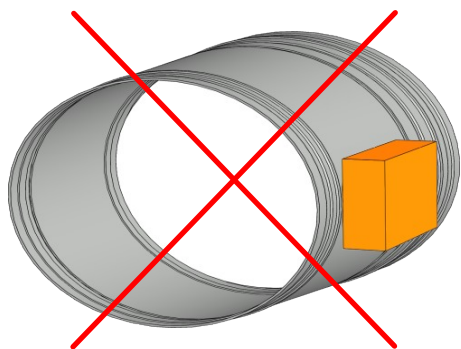
### Limit switches

- If the damper is equipped with limit switches and these switches are not used during operation (e.g. because of a project change), they can be left on the damper and not connected (they need not be dismantled).
- On the other hand, if the limit switch is to be added to the damper design, the change can be implemented by change kit.
- These facts must be recorded in the respective operation documentation of the damper (record books of the damper, fire logs, etc.) and subsequently, adequate function checks must be carried out.

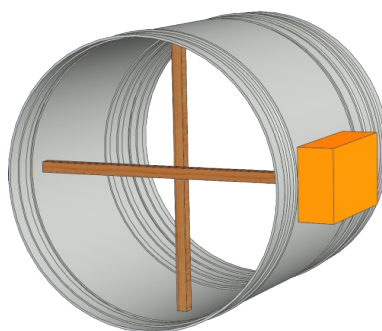
### Installation / fixing the damper

- The damper casing shall not be deformed in the course of bricking in.
- Once the damper is built in, the damper blade shall not grind on the damper casing during opening or closing.

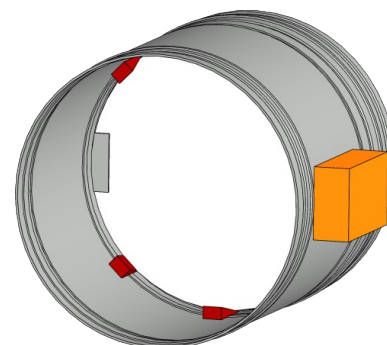
#### Protection of the damper casing against buckling during installation.



**WRONG!**



**Brace with wooden blocks**



**Brace with wedges**



## Commissioning and revisions

- Before putting the damper into operation, serviceability checks and functional tests must be carried out including testing of functionality of all electrical elements. After putting into operation these serviceability checks must be carried at least twice a year. If no defect is found during two subsequent serviceability checks, these checks can be carried out once a year.
- In case that dampers are found unable to serve for their function for any cause, it must be clearly marked. The operator is obliged to ensure that the damper is put into condition in which it is ready for function and meanwhile he is obliged to provide the fire protection by another appropriate way.
- Results of regular checks, imperfections found and all important facts connected with the damper function must be recorded in the "FIRE BOOK" and immediately reported to the operator.
- Before entering the dampers with actuator into operation after their assembly and by sequential checks. Check of blade rotation into the breakdown position "CLOSED" can be done after disconnecting the actuator supply (e.g. by pressing the test button at the thermoelectric activation device BAT or disconnecting the supply from ELECTRICAL FIRE SIGNALISATION). Check of blade rotation back into the "OPEN" position can be done after restoration of power supply (e.g. by releasing the test button or restoration of supply from ELECTRICAL FIRE SIGNALISATION). Without power supply, the damper can be operated manually and fixed in any required position. Release of the locking mechanism can be achieved manually or automatically by applying the supply voltage. It is recommended to provide periodical checks, maintenance and service actions on fire equipment by authorized persons. The authorized persons can be trained by producer, or by authorized distributor. All effective safety standards and directives must be observed during fire damper assembly.
- Visual inspection of proper damper installation, inner area of a damper, damper blade, contact surfaces and silicon seal.
- For regular or exceptional inspection of interior of fire damper, micro-camera device can be used. On each fire damper is an inspection opening. In the case of inspection by camera, take out the black rubber cap, insert the camera inside the damper, check interior and at the end of inspection, put the rubber cap back tightly to cover the empty hole.

**For dampers with manual control (designs .01, .11, .80), the following checks must be carried out**

### Check of a manual control and thermal fuse

- **To check the function of the manual control proceed as follows:**
- Turn the damper blade to "CLOSED" position as follows:
  - The damper blade is in "OPEN" position.
  - Press the control button of the manual control to turn the damper blade to "CLOSED" position.
  - Check the damper blade rotation to "CLOSED" position.
  - Damper blade closing shall be smooth and fast, the control lever shall be in „CLOSED“ position.
- Turn the damper blade to "OPEN" position as follows:
  - Turn the control lever by 90°.
  - Check the damper blade rotation to "OPEN" position.
  - The lever will automatically lock in "OPEN" position.
- **Check of function and condition of the thermal fuse:**
  - To check the function and the status of the fuse it's possible to remove the manual control from the casing of the fire damper which is attached to the damper casing with four screws M6.
  - Removing the thermal fuse from the fuse holder of a manual control, checks its correct functionality.
  - The manual control is identified as M1 to M5, depending on the closing spring strength.

**For the designs with actuators, following checks must be carried out**

- Check the rotation of the blade to "CLOSED" failure position after disconnection the power supply of the actuator (e.g. by pressing the test button on the thermoelectric activation device BAT or by disconnection the power supply from electrical fire signalization). Check the rotation of the blade back to "OPEN" position by restoring the power supply to the actuator (e.g. by releasing the test button or by restoring the power supply from electrical fire signalization).
- Inspection opening disassembly
  - Unscrew the screws (2pcs) and remove the cover by tilting it.



*Inspection opening detail*

- Ensure each damper is fully checked for operational capability, control should be initiated from the control system or by manual control. Damper blades should open and close correctly and operation should be visually inspected and documented prior to handover.

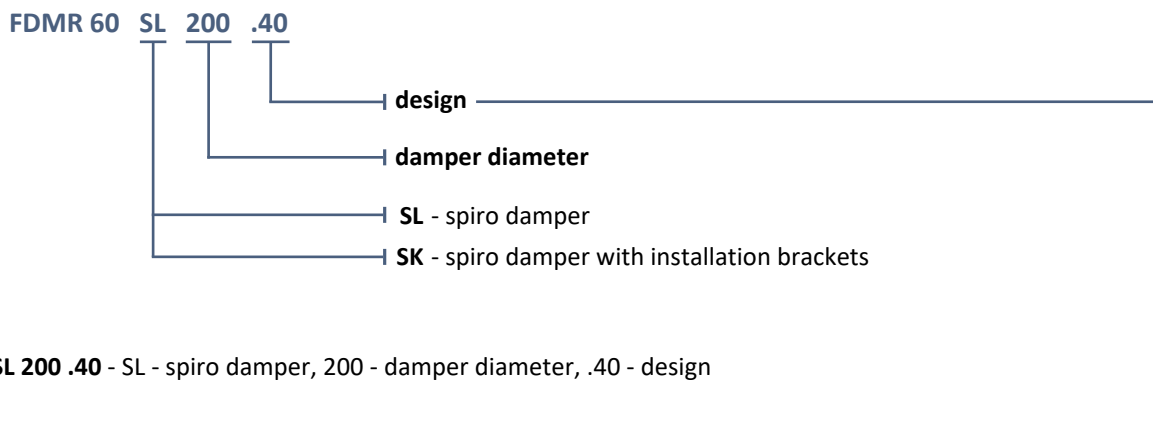
**How to proceed after Tf1 or Tf2 fuses have been activated**

- If the thermal fuse **Tf1** is interrupted (due to temperature outside the duct), it is necessary to replace the spring return actuator. → see page 8
- If the thermal fuse **Tf2** is interrupted (due to temperature inside the duct) , only the spare part ZBAT 72 (95/120/140) needs to be replaced (acc.to the activation temperature). → see page 8

# X. ORDERING INFORMATIONS

## Ordering key

### Fire damper





**EXAMPLE:**  
**FDMR 60 SL 200 .40** - SL - spiro damper, 200 - damper diameter, .40 - design

Damper design	Additional digit
Manual control and thermal	.01
Manual control and thermal with a terminal switch („CLOSED“)	.11
Manual control and thermal with two terminal switches („OPEN“, „CLOSED“)	.80
With actuator BFL 230-T - voltage AC 230 V	.40
With actuator BFL 24-T - voltage AC/DC 24 V	.50

## Data label

- Data label is placed on the damper casing (example)

<b>MANDÍK</b> <sup>®</sup>		MANDÍK, a.s. Dobříšská 550, 267 24 Hostomice, Czech Republic		
FIRE DAMPER - XXXX				
DIMENSION:	<input type="text"/>	DESIGN:	<input type="text"/>	
SERIAL.NO.:	<input type="text"/>	WEIGHT (kg):	<input type="text"/>	
CLASSIFICATION:				MANUAL
TPM XXX/XX	Cert. No.: 1391-CPR-XXXX/XXXX, DoP: PM/XXXX/XX/XX/X	EN 15650:2010	 <small>1391</small>	

The producer reserves the right for innovations of the product.  
For actual product information see [www.mandik.com](http://www.mandik.com)

**MANDÍK**<sup>®</sup>  
[www.mandik.com](http://www.mandik.com)